

Read all instructions BEFORE assembly and USE of product.
KEEP INSTRUCTIONS FOR FUTURE USE.



Quality • Comfort • Style

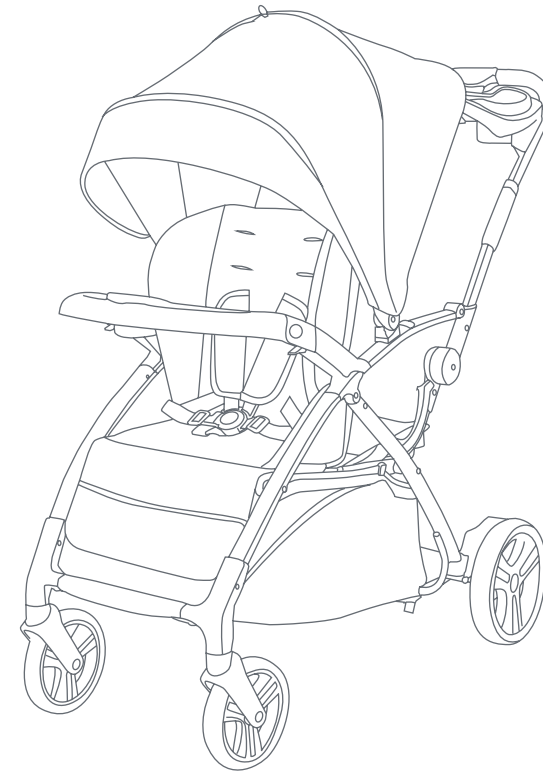
Baby Trend, Inc.
13048 Valley Blvd.
Fontana CA 92335

www.babytrend.com

Imported by:

KG Group
49-51 Sunmore Close,
Heatherton Vic 3202, Australia

Customer Service:
KG Group
039-555-9670
support@kgelectronic.com.au




SS27
Sit N' Stand Shopper
Instruction Manual




Quality • Comfort • Style


SS27XXXAU_102424_AU

 **WARNING:** Please follow all of these instructions to ensure the safety of your child. Keep these instructions for future reference.

 **WARNING:** Failure to follow these instructions could result in serious injury or death. Avoid serious injury from falling or sliding out, always use the safety harness and insure that the children are properly positioned according to these instructions.

 **WARNING:** Never leave children unattended.


 **WARNING:** The vehicle is not to be used as an unsupervised sleeping environment.

 **WARNING:** TO AVOID INJURY OR DEATH:

- FOLLOW THE MANUFACTURER'S INSTRUCTIONS.
- PUT ON ALL THE BRAKES WHENEVER YOU PARK THE STROLLER.
- DO NOT LEAVE CHILDREN UNATTENDED.
- SECURE THE CHILD IN THE HARNESS AT ALL TIMES.
- DO NOT CARRY EXTRA CHILDREN OR BAGS ON THIS STROLLER.
- MAKE SURE CHILDREN ARE CLEAR OF ANY MOVING PARTS IF YOU ADJUST THE STROLLER, OTHERWISE THEY MAY BE INJURED.

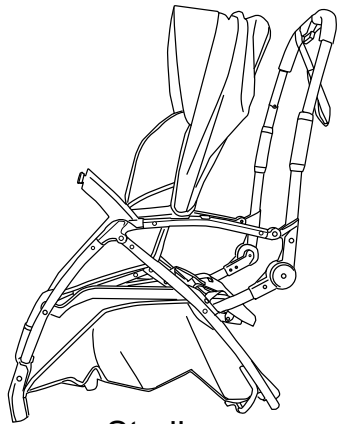
 **WARNING:** USE THE HARNESS AT ALL TIMES.

 **WARNING:** USE THE TETHER STRAP TO STOP THE STROLLER FROM ROLLING AWAY.

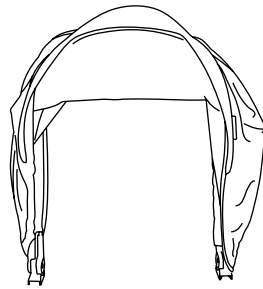
 **WARNING:** Not intended for infant sleep and should never be used for this purpose. NEVER leave the harness buckled when not fitted to a child in the stroller because the harness can form loops which may pose a strangulation hazard. ALWAYS take care and pay attention when erecting and folding the stroller as moving parts can cause injury. ALWAYS make sure the storage latch is properly engaged before moving or lifting the stroller.

- Be certain the stroller is completely opened and locked in place before allowing a child near the stroller.
 - Purses, shopping bags, parcels, diaper bags or accessory items may change the balance of the stroller and cause a hazardous, unstable condition to exist.
 - The maximum weight that can be carried in the storage basket is 30 lbs (13.60 kg) with the rear fully extended out and 20 lbs (9.07 kg) with basket closed. Mobile positioning parent tray and child tray each hold 5 lbs (2.26 kg). Excessive weight may cause a hazardous unstable condition to exist.
 - The maximum weight for the front seat is 50 lbs (22.68 kg). The maximum weight for the platform / jumpseat is 50 lbs (22.68 kg).
 - The rear stand on platform / jump seat is designed for a child who is at least 2 1/2 years old and is not over 40 inches (101.6 cm) tall. The maximum weight for the following combined features still within the individual limits is 130 lbs (58.96 kg): front seat, platform / jumpseat , and any of the accessories. Excessive weight may cause a hazardous unstable condition to exist.
 - **NEVER** use the stroller on stairways or escalators.
 - **NEVER** allow your stroller to be used as a toy.
 - To clean use only mild household soap or detergent and warm water on a sponge or clean cloth.
 - Check your stroller for loose screws, worn parts, torn material or stitching on a regular basis. Replace or repair parts as needed.
 - Discontinue use of stroller should it malfunction or become damaged. Please contact our customer service department to arrange for repair or obtain replacement parts.
 - Purses, shopping bags, parcels, diaper bags or accessory items may change the balance of the stroller and cause a hazardous, unstable condition. No after market accessories are approved for use with this product.
- ALWAYS** keep stroller away from fire or any open flame.

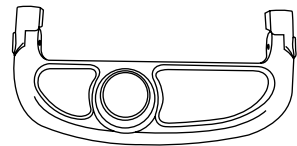
Check that you have all the parts for this model before assembling the stroller.



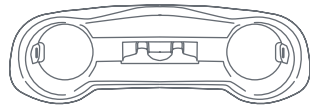
Stroller



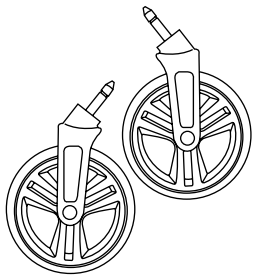
Canopy



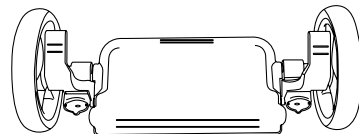
Child Tray



Mobile Phone
Positioning Parent Tray



Front Wheel



Rear Axle-
Platform

IMPORTANT! To ensure safe operation of your stroller, please follow these instructions carefully. Please keep these instructions for future reference.

IMPORTANT! Before assembly and each use, inspect this product for damaged hardware, loose joints, missing parts or sharp edges. NEVER use if any parts are missing or broken.

IMPORTANT! Adult assembly is required.

FRAME SET UP

To attach the front wheels, unfold stroller as described in the following section:

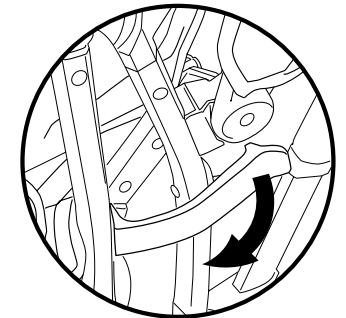


Fig. 1a

- 1) • Release the fold latch by pulling it outward (Fig. 1a).
 - Firmly pull backward on the stroller handle to snap the frame open (Fig. 1b).
- NOTE:** The frame must fully click into position.

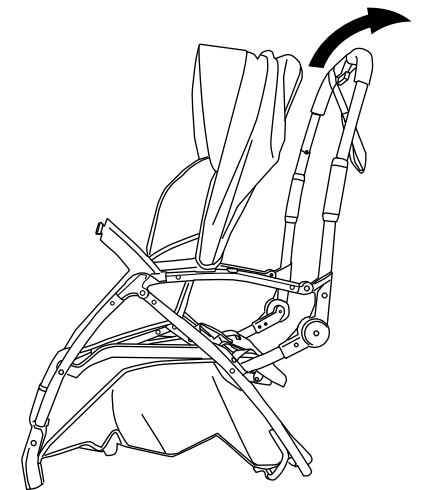


Fig. 1b

FRONT WHEELS

- Insert each front wheel into the housing on both sides of stroller frame. Line up the peg with the housing and firmly push into place (Fig. 2).

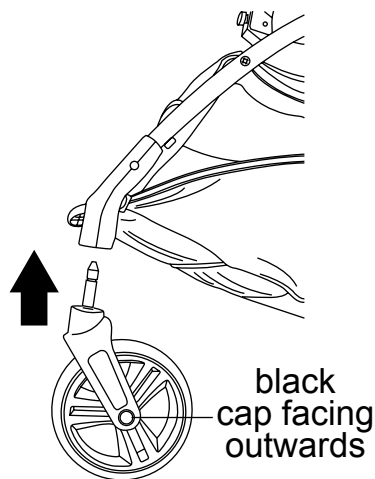


Fig. 2

REAR AXEL - PLATFORM

- From the underside, align the rear axle with platform over the rear frame tubes. Push in evenly on both sides until secure (Fig. 3a).
- Ensure to press the rear axle-platform under the lower bar (Fig. 3b). **NOTE:** Ensure the rear axle-platform clicks into position on both sides. Pull on each side to ensure it is locked in place before use.

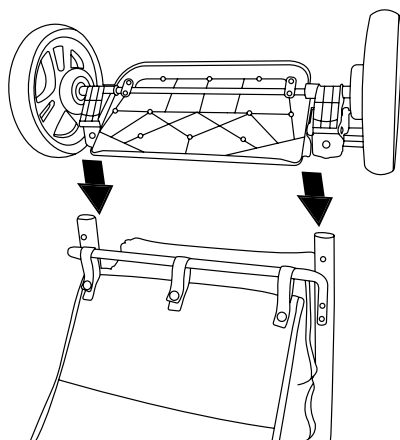


Fig. 3a

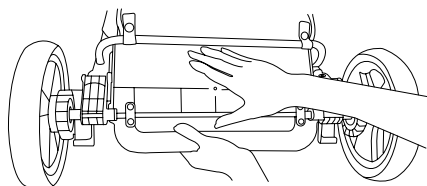


Fig. 3b

NEVER use stroller if the rear axle-platform does not lock into place. If you need assistance, please contact the customer service line for additional assistance: KG Group at 039-555-9670 or support@kgelectronic.com.au.

CHILD TRAY

- ! WARNING:** The child's tray is not a restraint device: always secure your child with the seat belt. **DO NOT** lift the stroller by the child's tray. Use care when child is in the stroller and securing the front tray. Do not place hot liquids or more than 5 lbs (2.26 kg) in the child tray. Serious burns or unstable conditions could result.

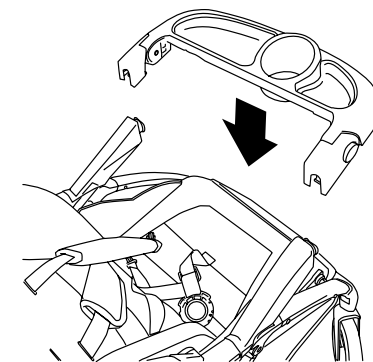


Fig. 4a

- To attach the child tray: push the tray downward and onto each side of the front armrests until both sides snap into place (Fig. 4a). Check that the tray is secured by slightly pulling it upwards.

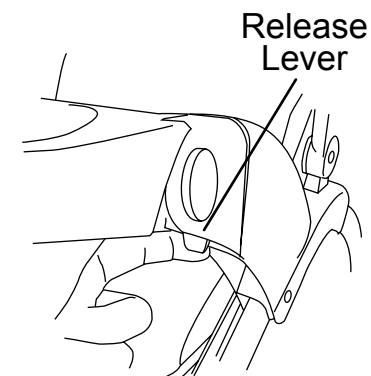


Fig. 4b

- To access the child seat: pull one release lever (Fig. 4b) on the underside of the child tray and lift upward. Either side can rotate up to access the seat (Fig. 4c). **NOTE:** To remove the child tray: Pull each release lever on both sides of the tray and pull upward.

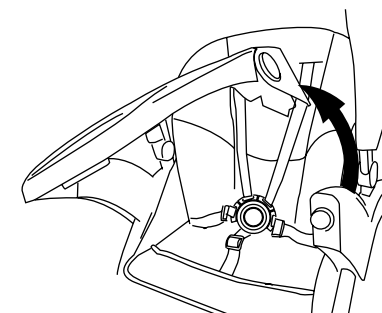


Fig. 4c

CANOPY

- 5) • **To attach the canopy:** align both sides of the canopy clips onto the plastic tabs. Slide clips forward to lock into place (Fig. 5a). **NOTE:** Ensure the canopy is completely snapped into position.

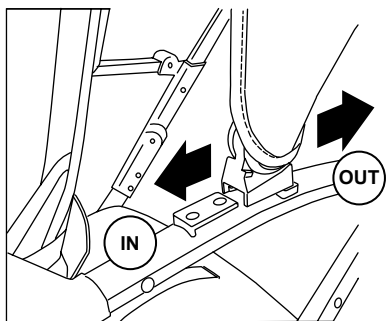


Fig. 5a

- **To open the canopy:** push front bar forward while holding back of canopy. Canopy rachs forward or backward (Fig. 5b).

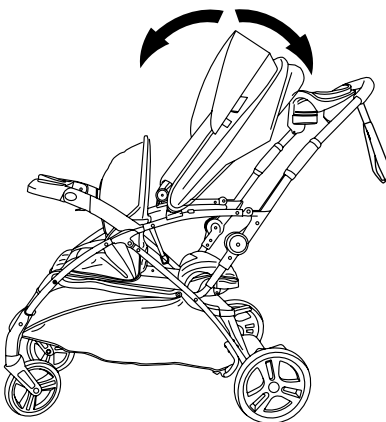


Fig. 5b

- **To close the canopy:** pull front of canopy back towards stroller handle (Fig. 5c).

- On the front edge of the canopy, you can fold the visor in or out for additional shade (Fig. 5c).

- **To remove the canopy:** Slide both canopy clips back towards the stroller handle (Fig. 5a).

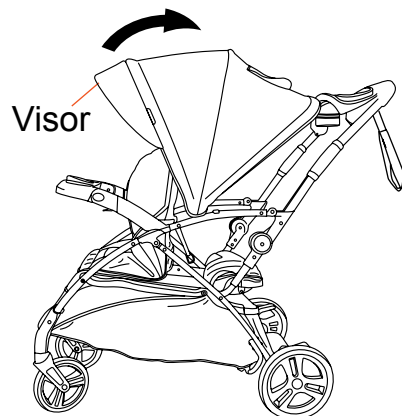


Fig. 5c

BASKET ACCESS

- 6) • **To access front of basket:** open and close the leg rest with the hook and loop fastener. Lift the leg rest to access the basket (Fig. 6a).

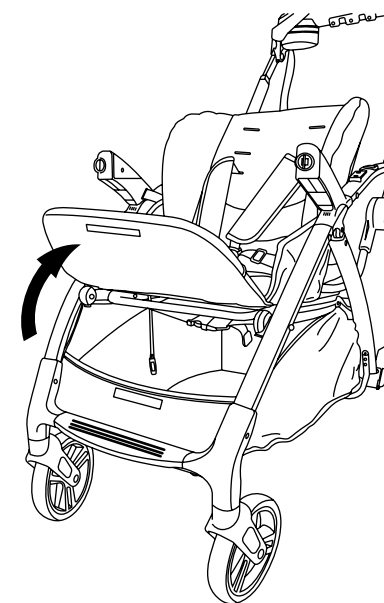


Fig. 6a

- **To access rear of basket:** open and expand the basket by using the pull handle (Fig. 6b). Use the hook and loop fasteners on both sides to close (Fig. 6c).

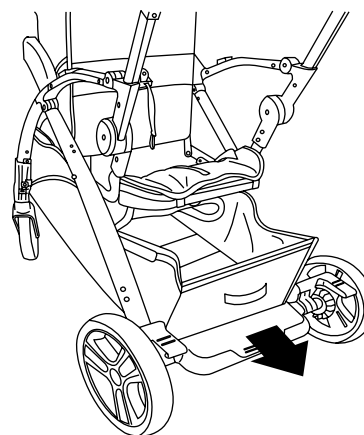


Fig. 6b

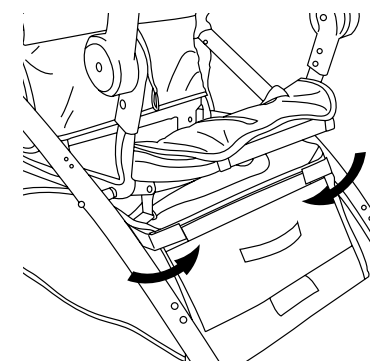


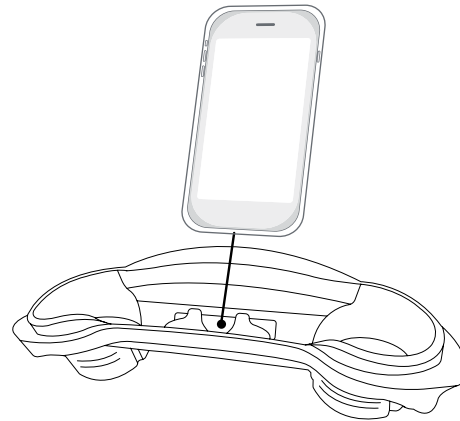
Fig. 6c

MOBILE PHONE POSITIONING PARENT TRAY

⚠️ WARNING: Do not place hot liquids or more than 5 lbs (2.26 kg) in the parent tray. Serious burns or unstable conditions can result.

⚠️ WARNING: Care must be taken when folding stroller to prevent damage. Make sure all accessories, mobile phones, diaper bags or purses are removed before folding. Failure to remove items in, or on the stroller may result in damage to the stroller or the item (s) if not removed. Baby Trend will not be liable or warrant any damage.

7) • **To Insert The Parent Tray:**
(1) Face the tray with the prominent arch side towards the canopy (Fig. 7a).



Mobile phone positioner

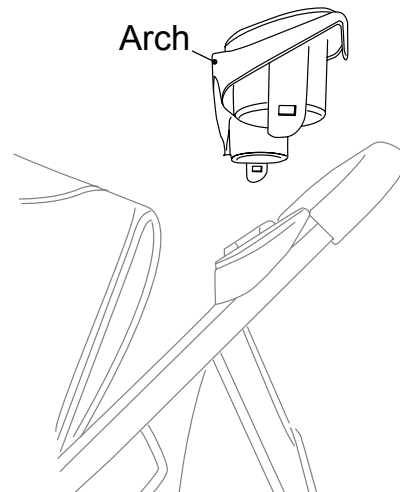


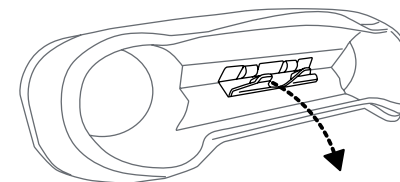
Fig. 7a

• (2) Align the parent tray tabs to the inner tabs on both sides of the stroller. Press the tray down firmly until both tabs click into position (Fig. 7b).

• **Mobile phone positioner:** Align mobile phone to the clip and insert it through the grips. Make sure to push the phone all the way down into the positioner (Fig. 7c).

NOTE: The positioner may not accommodate all mobile phones or other devices. Do not use positioner as a secure holder when stroller is not in use or if your phone is loose or is too large.

• **Removal:** Under the stroller frame locate the parent tray tabs. Press them inwards and lift up the tray from the housing (Fig. 7d).



Some mobile phones require pulling the tabs to insert.

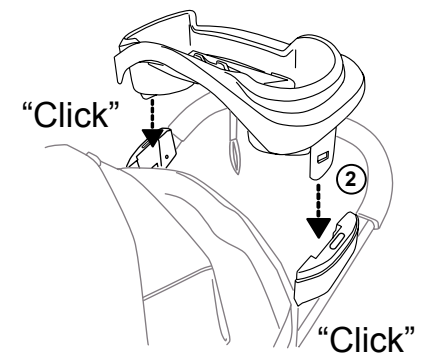


Fig. 7b

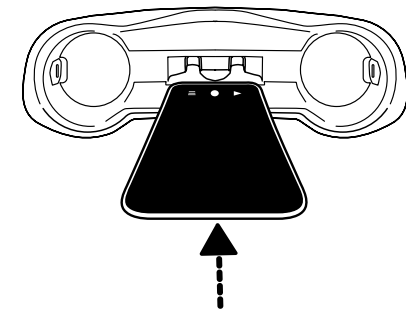


Fig. 7c

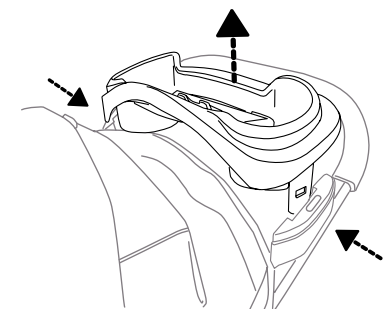


Fig. 7d

REAR BRAKES

⚠️ WARNING: Always set brakes when the stroller is not being pushed so that the stroller will not roll away. NEVER leave stroller unattended on a hill or incline as the stroller may slide down the hill.

- 8) • To engage rear brakes, apply downward pressure to the brake levers located on the rear axle (Fig 8a). The stroller may require forward or rearward movement in order to engage the brake. Check that the stroller will not move once the brakes are properly applied. To release, gently lift up on the brake levers (Fig. 8b).

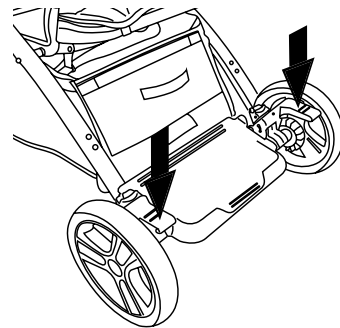


Fig. 8a

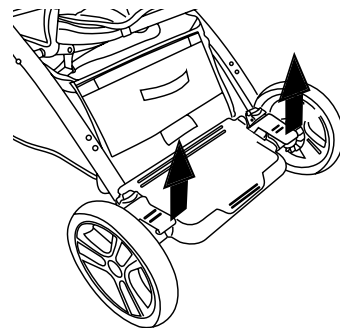


Fig. 8b

USING THE FRONT SEAT

⚠️ WARNING: Avoid serious injury from falling or sliding out. Always use the safety harness. **STRANGULATION HAZARD:** Child can strangle in loose safety harness. Never leave child in seat when safety harness is loose or undone.

- 9) • The shoulder straps of the 5-point harness have multiple positions. Select the position that places the shoulder strap level with, or below the top of the child's shoulder (Fig. 9a).
- To secure the child, place the safety harness around the child's waist and over the shoulders. Place the crotch strap between the child's legs. Insert the male end of each shoulder/waist belt into the crotch buckle. Tighten all buckles to the proper fit for the child (Fig. 9b).

Adjust to child's shoulder height

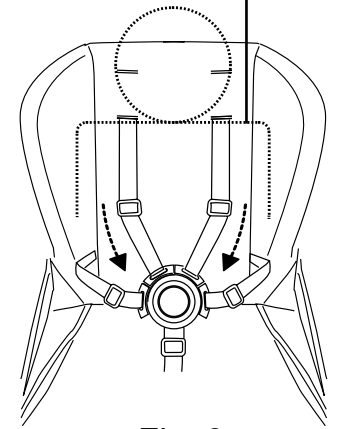


Fig. 9a

Adjust for a snug fit

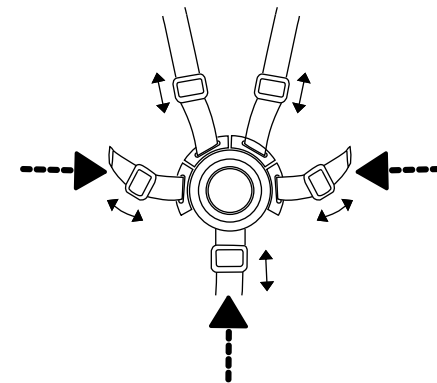


Fig. 9b

- **To make adjustments:** (1) Push the button on the center clasp and all the harness straps will release. (2) Pass them through the harness covers and the slots on the seat fabric (Fig. 9c).

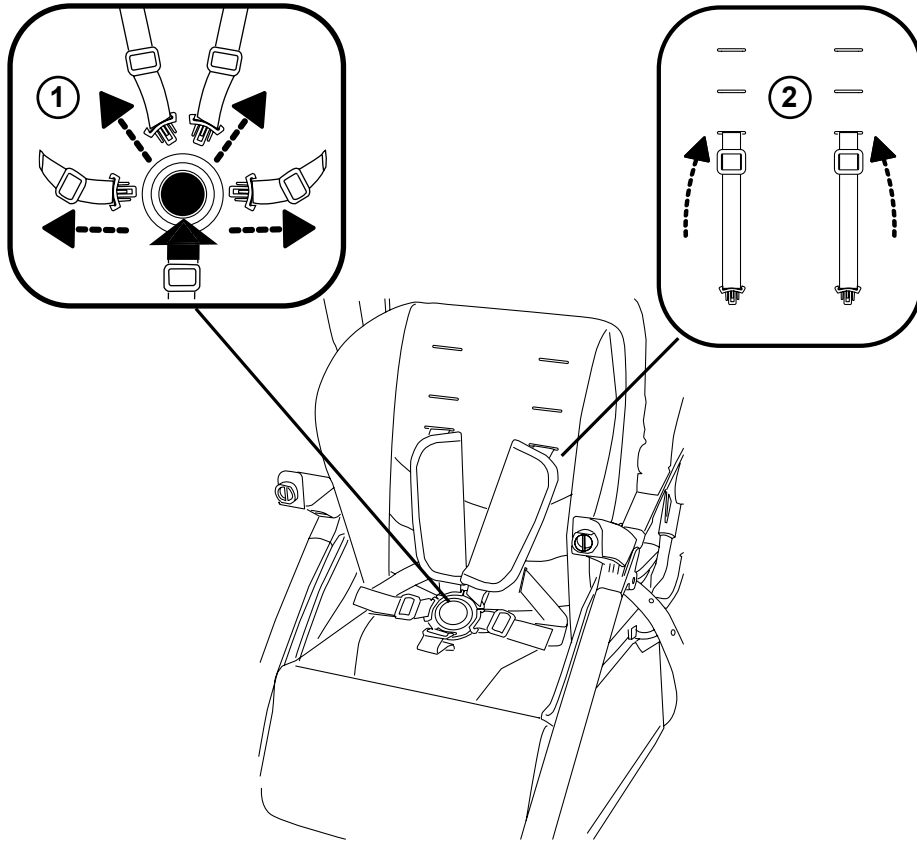


Fig. 9c

Use the hook and loop fasteners on the rear seat opening to access straps and rethread. Select the position that places the shoulder strap level with, or below the top of the child's shoulder (Fig. 9d).

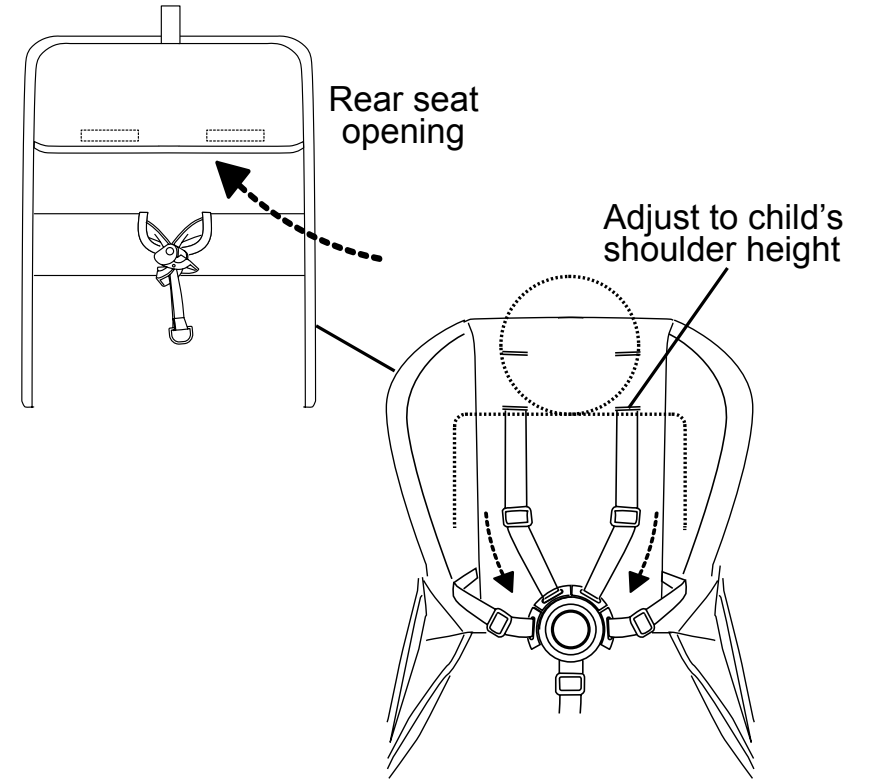


Fig. 9d

USING THE REAR JUMP SEAT

⚠️ WARNING: The rear platform and jump seat are designed to accommodate a child who is at least 2 1/2 years old, has good balance and coordination, and is not over 40 inches tall.

- 10) • The shoulder straps of the 5-point harness have 3 attachment positions. Select the position that places the shoulder strap level with, or below the top of the child's shoulder. Thread the straps through the harness slots to adjust it to the child's shoulder height (Fig. 10a).
- Place child in rear-facing seating position. Insert the male end of each shoulder/waist belt into the buckle on the crotch strap (Fig. 10a).
- Tighten the harness to be snug around the child's waist and over the child's shoulders (Fig. 10b).
- **RELEASE!** Push the button on the center clasp and the all the harness straps will release (Fig. 9c).

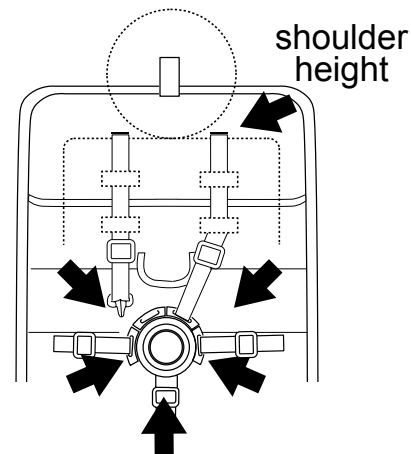
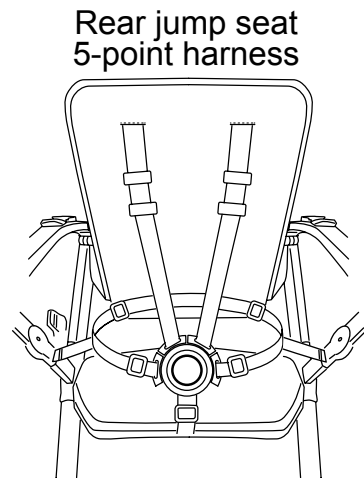


Fig. 10a

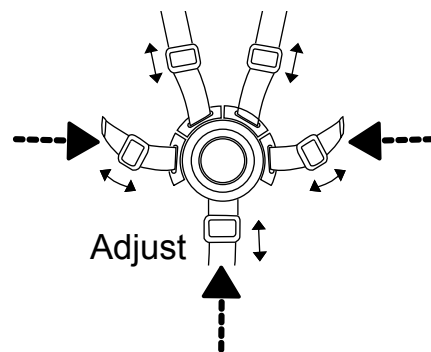


Fig. 10b

FRONT SEAT RECLINE

NOTE: Only use recline for the front seat. Always place in the upright position when using the jump seat:

SEAT BACK POSITION

⚠️ WARNING: The upright position should be used only for a child that is at least 6 months old.

- 11) • To recline the seat press the clip ends together to release and pull down. To place seat into an upright position, press the clip ends together while holding the end of strap. Push clip upwards to secure into desired position (Fig. 11).

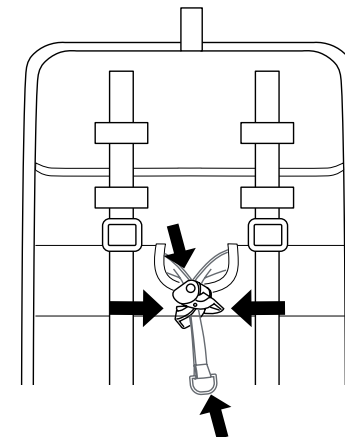
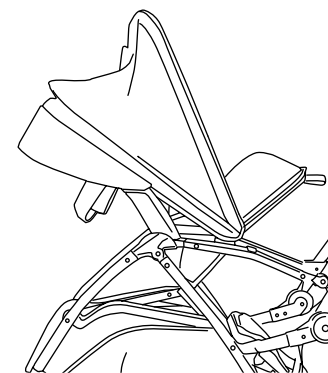
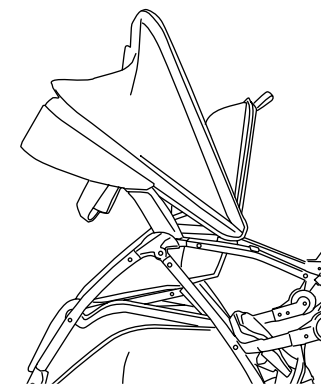


Fig. 11



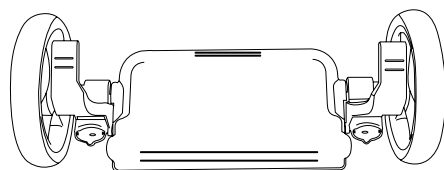
Reclined



Upright

USING THE PLATFORM

⚠️ WARNING: The rear platform and jump seat are designed to accommodate a child who is at least 2 1/2 years old, has good balance and coordination, and is not over 40 inches tall.



Rear Axle-Platform

- 12) • First engage the rear breaks and completely close the basket with the hook and loop fasteners (Fig. 12a). Place child in rear-facing standing position.

NOTE: Ensure the child holds the frame with both hands at all times. Use the easy grip handles for a comfortable grip and safety.

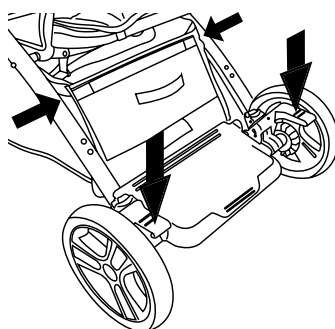


Fig. 12a

Canopy Toggle

- Use the canopy toggle when using the platform or to hold the canopy together when using and adjusting jump seat. Pull the small strap over the toggle (Fig. 12b).

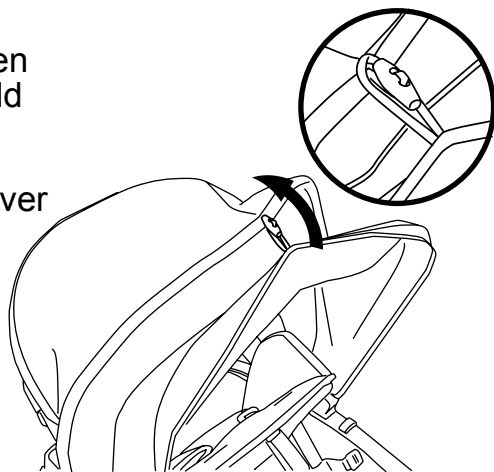
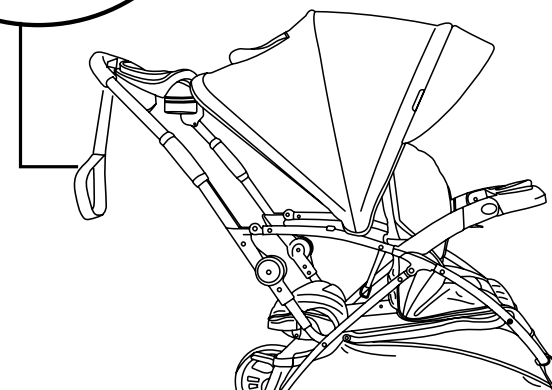
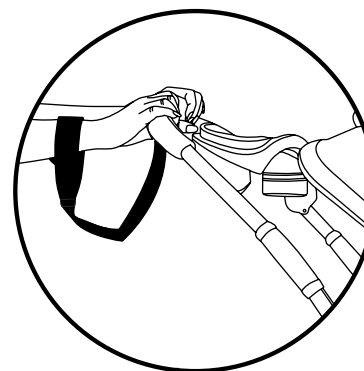


Fig. 12b

USING THE STROLLER TETHER STRAP

⚠️ WARNING: Use the tether strap to stop the stroller from rolling away.

- The stroller is designed for use on flat or gently sloping surfaces, and may be unstable on higher sloping and uneven surfaces. Users should be aware of the possibility of the stroller rolling away or tipping over.
- Never let go of the stroller when parked on an incline or sloping surface because it may slide or tip over. Always park on a flat surface and apply the brakes.
- Always apply the brakes whenever the stroller is stationary.
- A wrist tether strap is provided on the handle grip. Slide your hand through the tether strap loop whenever you use the stroller. Only remove your hand from the tether strap loop when the brakes have been applied to the stroller wheels.



TO FOLD STROLLER

⚠️ WARNING: Care must be taken when folding and unfolding the stroller to prevent finger entrapment.

CAUTION: Do not allow children near stroller while folding.

⚠️ WARNING: Care must be taken when folding and unfolding the stroller to prevent damage. Make sure all accessories, mobile phones, diaper bags or purses are removed before folding. Failure to remove items in, or on the stroller so may result in damage to the stroller or the item (s) if not removed. Baby Trend™ will not be liable or warrant any damage.

13) • Always push canopy forward away from handle before folding the stroller (Fig. 13a). Engage the rear breaks before folding the stroller (See step 8).
NOTE: May require to undo the rear jump seat harness, refer to (Fig. 10b).

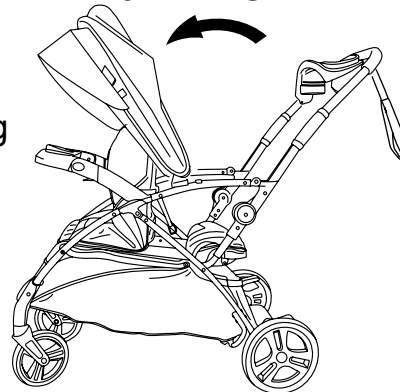


Fig. 13a

• (1) To fold the stroller, slide the thumb latch to the left. (2) Squeeze the pull trigger while pushing forward on the handle (Fig. 13b).

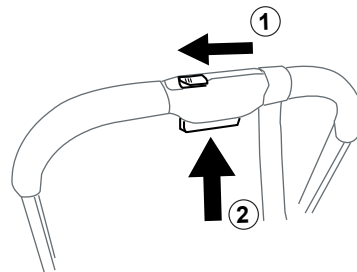


Fig. 13b

• Once the stroller begins to fold, push upward on the handle (Fig. 13c). Continue pushing handle upward and use the fold assist strap to close the stroller (Fig. 13d). Ensure the fold latch clicks and secures the stroller closed. Make sure fold lock is engaged and lift or carry stroller by rear leg tubing (Fig. 13e).

NOTE: You may rotate the child tray down for a compact fold. Press the 2 buttons and rotate the tray down (Fig. 13f).

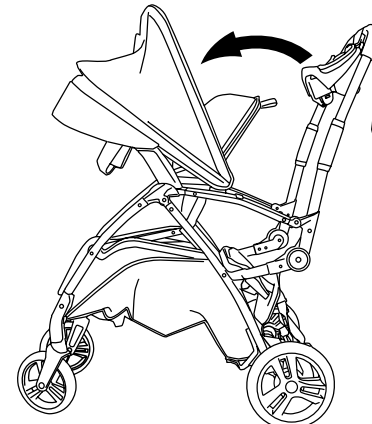


Fig. 13c

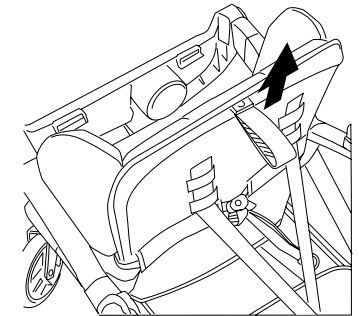


Fig. 13d

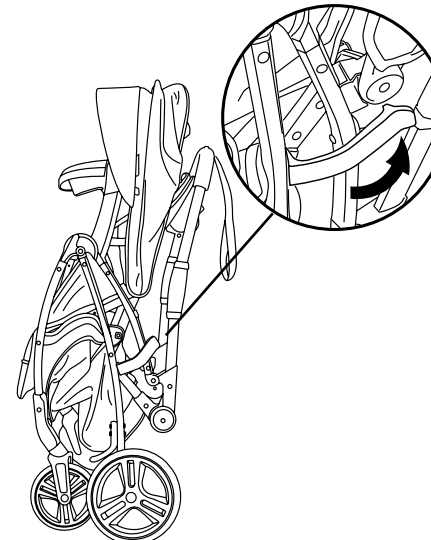


Fig. 13e

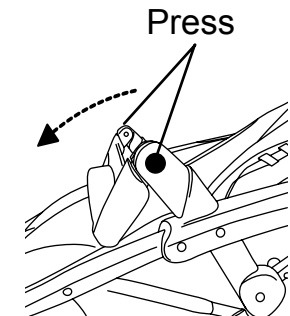


Fig. 13f

TO UNFOLD STROLLER

CAUTION:

Do not allow children near stroller while unfolding.

- 14) • Release the fold latch by pulling it outward (Fig. 14a).

- Firmly pull backward on the stroller handle to snap the frame open (Fig. 14b).

NOTE: The frame must fully click into position. Make sure fold lock is engaged and lift or carry stroller by rear leg tubing.

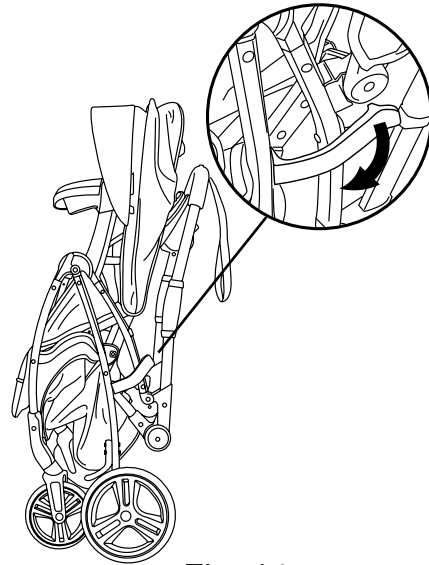


Fig. 14a

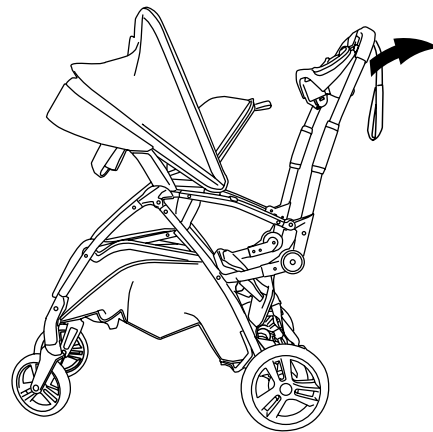


Fig. 14b

CARE AND MAINTENANCE

SEAT PAD

- To clean the seat pad, use only mild household soap or detergent and warm water on a sponge or clean cloth. Do not bleach/ Hang to dry/ Do not wash/ Do not iron/ Do not dry clean.

OTHER

- Check your stroller for loose screws, worn parts, torn material or stitching on a regular basis. Replace or repair parts as needed. Contact the customer service line for additional assistance: KG Group at 039-555-9670 or support@kgelectronic.com.au

TO REMOVE WHEELS

- Use the release pins to remove the front wheels and / or rear axle-platform.

