

**Read all instructions BEFORE assembly and USE of product.
KEEP INSTRUCTIONS FOR FUTURE USE.**



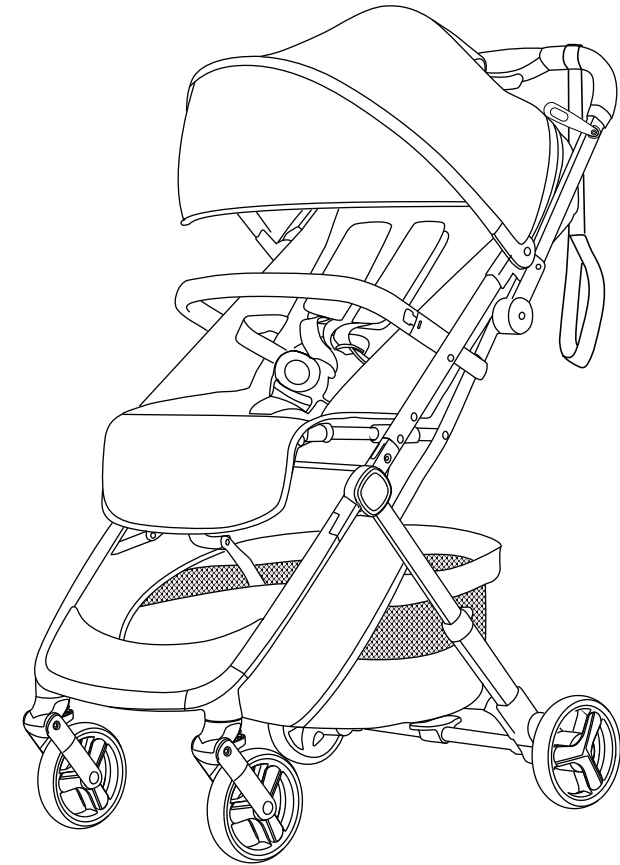
Quality • Comfort • Style

**Baby Trend, Inc.
13048 Valley Blvd.
Fontana CA 92335**

www.babytrend.com

Imported by:
KG Group
49-51 Sunmore Close,
Heatherton Vic 3202, Australia

Customer Service:
KG Group
039-555-9670
support@kgelectronic.com.au



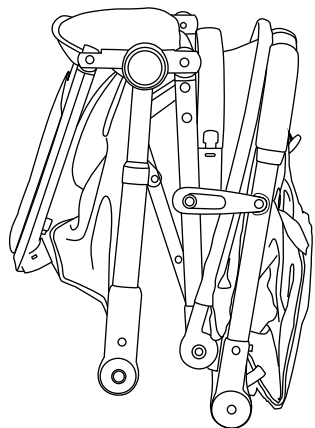
**ST01
Instruction Manual**



Quality • Comfort • Style

ST01XXX_06082021AU

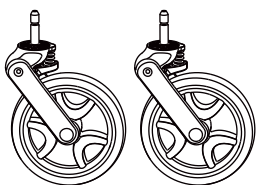
Check that you have all the parts for this model before assembling the stroller.



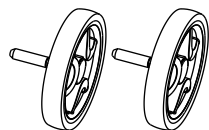
Stroller and Canopy



Bumper bar



* Front Wheels



* Rear Wheels

* Wheels style may vary.

⚠️ WARNING: Please follow all of these instructions to ensure the safety of your child. Keep these instructions for future reference.

⚠️ WARNING: Failure to follow these instructions could result in serious injury or death. Avoid serious injury from falling or sliding out, always use the safety harness and insure that the children are properly positioned according to these instructions.

⚠️ WARNING: Never leave children unattended.

⚠️ WARNING: Care must be taken when folding and unfolding the stroller to prevent finger entrapment.

⚠️ WARNING: Wheel can detach and cause tip over. Pull on the wheel to assure it is securely attached.

⚠️ WARNING: Care must be taken when folding stroller to prevent damage. Make sure all accessories, mobile phones, diaper bags or purses are removed before folding. Failure to remove items in, or on the stroller so may result in damage to the stroller or the item (s) if not removed. Baby Trend™ will not be liable or warrant any damage.

⚠️ WARNING: TO AVOID INJURY OR DEATH:

- ALWAYS APPLY THE BRAKES WHENEVER THE STROLLER IS STATIONARY.
- DO NOT LEAVE CHILDREN UNATTENDED.
- SECURE THE CHILD IN THE HARNESS AT ALL TIMES.
- DO NOT CARRY EXTRA CHILDREN OR BAGS ON THIS STOLLER.
- MAKE SURE CHILDREN ARE CLEAR OF ANY MOVING PARTS IF YOU ADJUST THE STROLLER.

⚠️ WARNING: USE THE HARNESS AT ALL TIMES.

⚠️ WARNING: USE THE TETHER STRAP TO STOP THE STROLLER FROM ROLLING AWAY.

NEVER leave the harness buckled when not fitted to a child in the stroller because the harness can form loops which may pose a strangulation hazard.

ALWAYS take care and pay attention when erecting and folding the stroller as moving parts can cause injury.

ALWAYS make sure the storage latch is properly engaged before moving or lifting the stroller.

- **CAUTION:** This single stroller is designed for one child only. Use with more than one child may cause the unbalance condition which can injure/ harm your child.
- Purses, shopping bags, parcels, diaper bags or accessory items may change the balance of the stroller and cause a hazardous, unstable condition. No after market accessories are approved for use with this product.
- The maximum weight that can be carried in the storage basket is 5 pounds (2.27kg). Excessive weight may cause a hazardous unstable condition to exist.
- Be certain the stroller is completely opened and locked in place before allowing a child near the stroller.
- The child occupant must not exceed 50 lbs (22.67 kg) or over 42 inches (106.7 cm) tall when used with the maximum weight on the child tray, parent tray and basket. Do not exceed 60 lbs (27.21 kg) including the weight used in the accessories. Use of the stroller with a total weight more than 60 lbs (27.21 kg) will cause excessive wear and stress on the stroller and may cause a hazardous unstable condition to exist.
- **ALWAYS** use the safety harness and attach all straps correctly.
- **ALWAYS** keep stroller away from fire or any open flame.
- **NEVER** use the stroller on stairways or escalators.
- **NEVER** use the stroller with roller skates, in-line skates, skateboards or bicycles.
- **NEVER** allow your stroller to be used as a toy.
- **NEVER** run or jog with this stroller.

IMPORTANT! To ensure safe operation of your stroller, please follow these instructions carefully. Please keep these instructions for future reference.

IMPORTANT! Before assembly and each use, inspect this product for damaged hardware, loose joints, missing parts or sharp edges. **NEVER** use if any parts are missing or broken.

IMPORTANT! Adult assembly is required.

UNFOLD THE STROLLER FRAME

- 1) • To unfold, unlock the release lever by pulling it out from the rivet (Fig. 1a). Unfold the stroller frame by pulling upward on the stroller handle until the frame locks (Fig. 1b).

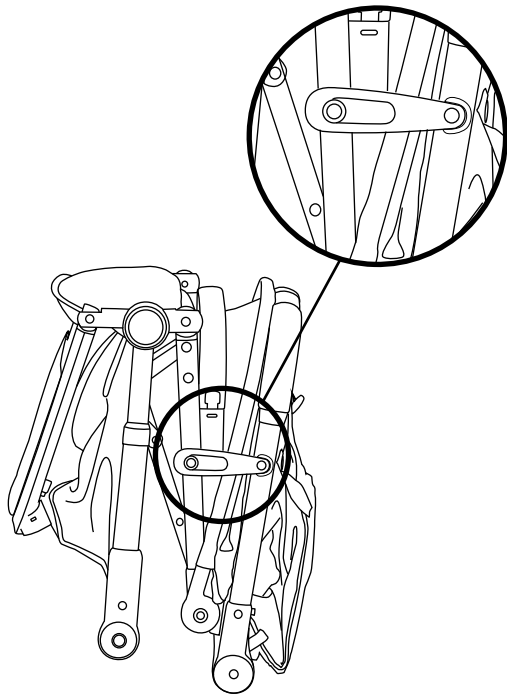


Fig. 1a

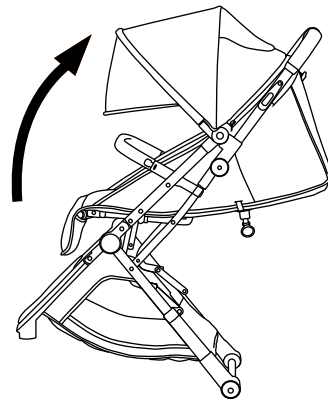


Fig. 1b

FRONT WHEELS / REAR WHEELS

The front wheels and rear wheels **MUST** be installed prior to use.

- 2) • Lean the stroller backwards and push each front wheel posts into the wheel housing. Press firmly to lock each wheel into position (Fig. 2a).

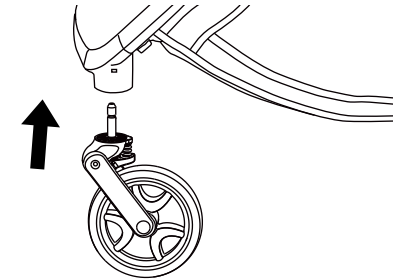


Fig. 2a

- If replacing the front wheel, push the release button on the side of the wheel hub and pull the wheel from the hub (Fig. 2b).

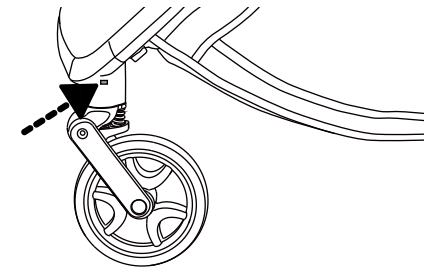


Fig. 2b

- Lean the stroller forward to rest on the front wheels. Press the rear wheel posts into the rear frame hub until it clicks into place (Fig. 2c).

NOTE: Pull on the front and rear wheel to ensure that it is securely attached to the stroller. **NEVER** use stroller if wheels do not lock into place.

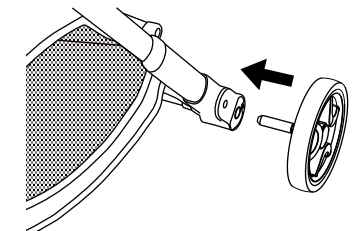


Fig. 2c

- If replacing the rear wheel press the release lever and pull the wheel out (Fig 2d).

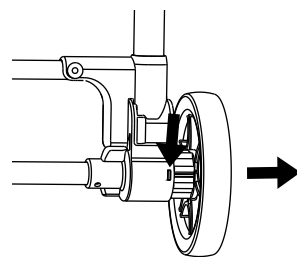


Fig. 2d

BUMPER BAR

- 3) • Attach the bumper bar by lining up anchors with the slots on the seat. Push until it locks into place (Fig. 3).

NOTE: The bumper bar must be securely attached before using this product.

- To detach bumper bar, press the release button on the bottom of the bar and pull bar out of the anchor.

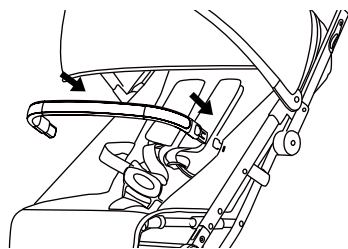


Fig. 3

SEAT BACK POSITION

- 4) • **To recline the seat:** press the side tabs on the adjuster and pull downward. To place the seat into the upright position, hold the strap hoop and push the adjuster upward (Fig. 4).

NOTE: The upright position should be used only for a child that is at least 6 months old. Always re-adjust the safety harness, including the shoulder belts, when repositioning the seatback.

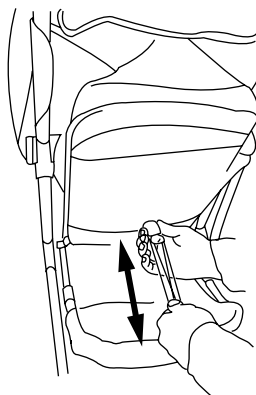
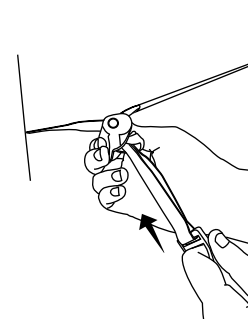
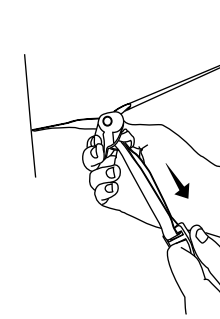


Fig. 4



Hold for upwards



Press for downwards

CANOPY

- 5) • **To open the canopy:** pull front of canopy forward (Fig. 5a).

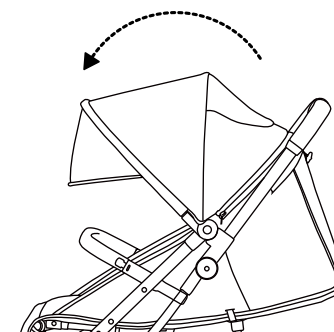


Fig. 5a

- On the front edge of the canopy, you can fold the visor in or out for additional shade.

To close the canopy: pull the canopy backwards (Fig. 5b).

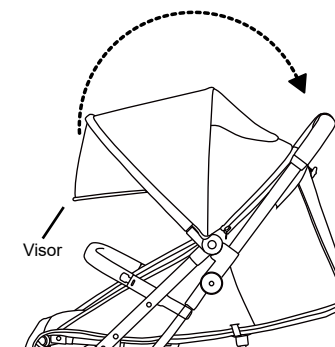


Fig. 5b

FLIP-UP LEG REST / BASKET ACCESS

- 6) • Reach under the leg rest to unsnap the strap and lift it up to access the storage basket (Fig. 6). **NOTE:** Use the edge of the leg rest to access storage basket. Always use the snap closure to secure the storage basket opening when not in use.

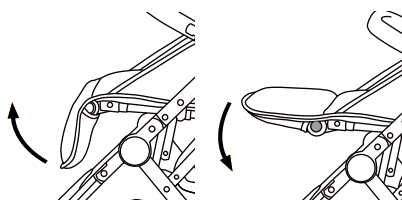


Fig. 6

REAR BRAKES

- WARNING:** Always set brakes when the stroller is not being pushed so that the stroller will not roll away. **NEVER** leave stroller unattended on a hill or incline as the stroller may slide down the hill.

- 7) • To engage rear brakes, apply downward pressure to the brake levers located on the rear axle. The stroller may require forward or rearward movement in order to engage the brake. Check that the stroller will not move once the brakes are properly applied. To release, gently lift up on the brake levers (Fig. 7).

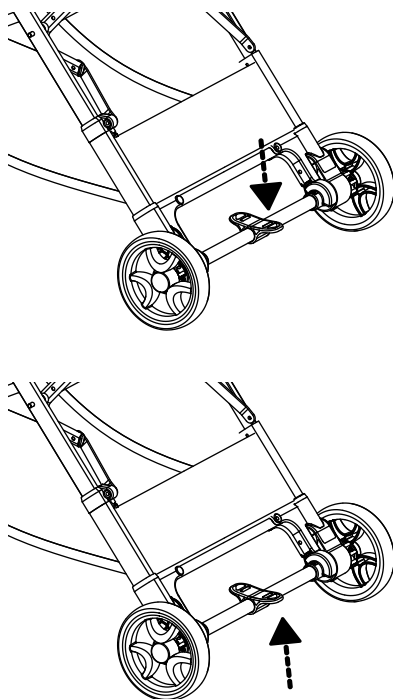


Fig. 7

SECURE THE CHILD

- WARNING:** Avoid serious injury from falling or sliding out. Always use the safety harness. **STRANGULATION HAZARD:** Child can strangle in loose safety harness. Never leave child in seat when safety harness is loose or undone.

- 8) • The shoulder straps of the 5-point harness have multiple positions. Select the position that places the shoulder strap level with, or below the top of the child's shoulder (Fig. 8a).

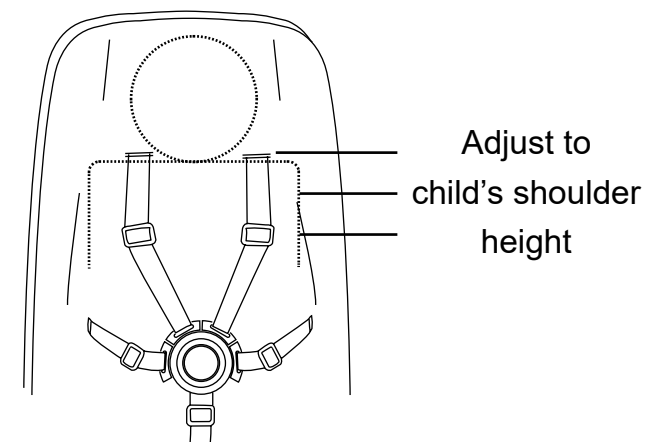


Fig. 8a

- **To make adjustments:** undo the hook and loop fasteners underneath the fabric on the rear of the seat. Grip the buckles and pass them through the slots (1).
- Facing the front of the seat Insert the buckles into the appropriate slots (2). Ensure the buckles anchor to the back of the seat and reattach the hook and loop fasteners (3). See the diagram (Fig 8b).

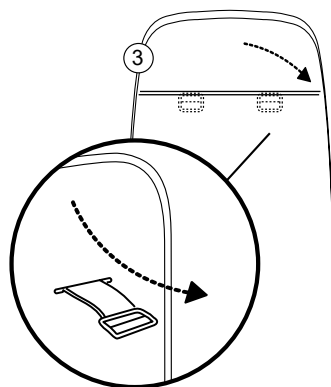
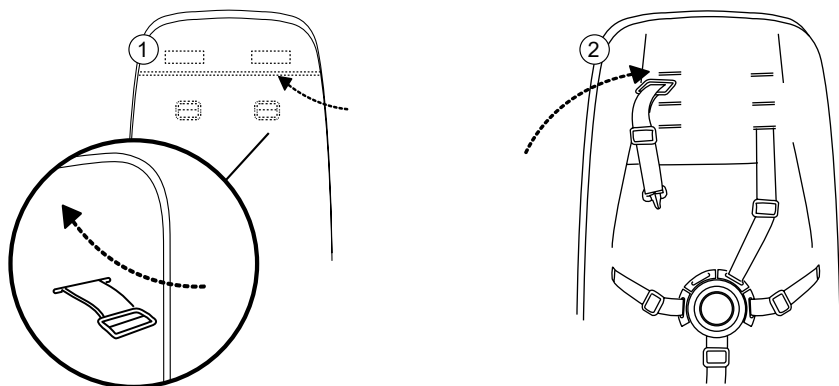


Fig. 8b

- To secure the child, place the safety harness around the child's waist and over the shoulders. Place the crotch strap between the child's legs. Insert the male end of each shoulder/waist belt into the crotch buckle. Tighten all buckles to the proper fit for the child (Fig. 8c).
- If removed, insert the harness straps through the harness covers (Fig. 8d).

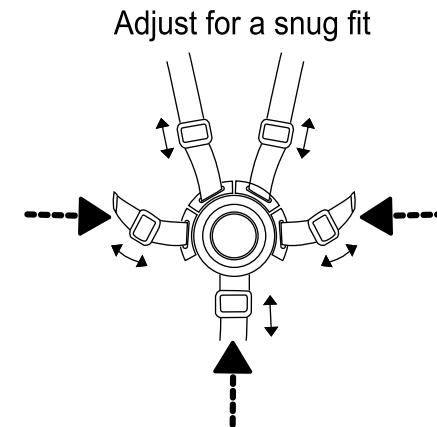


Fig. 8c

- 9) • **RELEASE!** Push the button on the center clasp and the all the harness straps will release (Fig. 9).

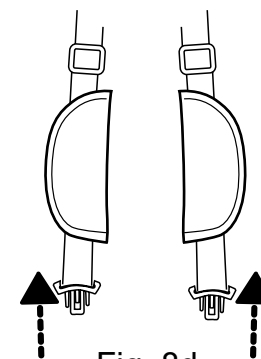


Fig. 8d

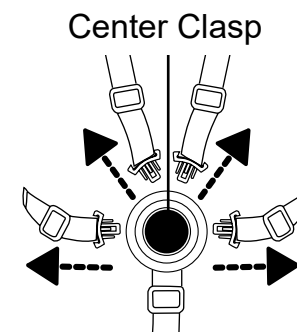
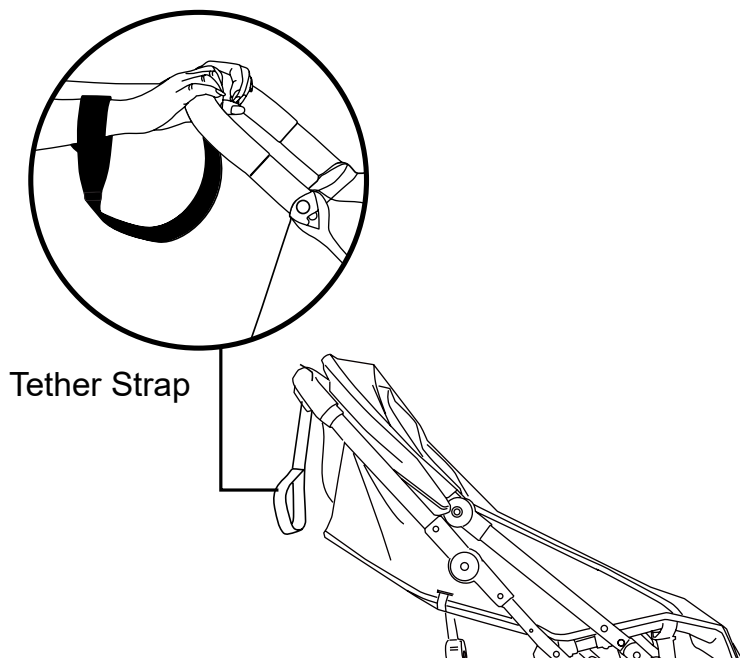


Fig. 9

USING THE STROLLER TETHER STRAP

WARNING: Use the tether strap to stop the stroller from rolling away.

- The stroller is designed for use on flat or gently sloping surfaces, and may be unstable on higher sloping and uneven surfaces. Users should be aware of the possibility of the stroller rolling away or tipping over.
- Never let go of the stroller when parked on an incline or sloping surface because it may slide or tip over. Always park on a flat surface and apply the brakes.
- Always apply the brakes whenever the stroller is stationary.
- A wrist tether strap is provided on the handle grip. Slide your hand through the tether strap loop whenever you use the stroller. Only remove your hand from the tether strap loop when the brakes have been applied to the stroller wheels.



TO FOLD STROLLER

WARNING: Care must be taken when folding and unfolding the stroller to prevent finger entrapment.

CAUTION: Do not allow children near stroller while folding.

WARNING: Care must be taken when folding stroller to prevent damage. Make sure all accessories, mobile phones, diaper bags or purses are removed before folding. Failure to remove items in, or on the stroller so may result in damage to the stroller or the item (s) if not removed. Baby Trend will not be liable or warrant any damage.

- 10) • Close the canopy as described in the canopy section Step 5.
- To fold the stroller, slide the thumb latch to the left (1) and squeeze the pull trigger while pushing forward on the handle (2) (Fig. 10a).
 - Once the stroller begins to fold, release the handle and push forward on the handle until the

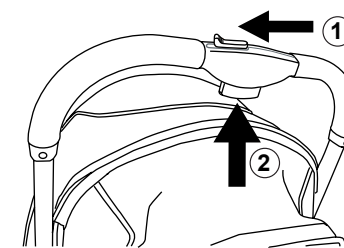


Fig. 10a

stroller is folded (Fig.10b).
Lock the release lever to secure the
stroller (Fig. 10c).

NOTE: The frame must fully
click into position. Make
sure fold lock is engaged
and lift or carry stroller by
rear leg tubing.

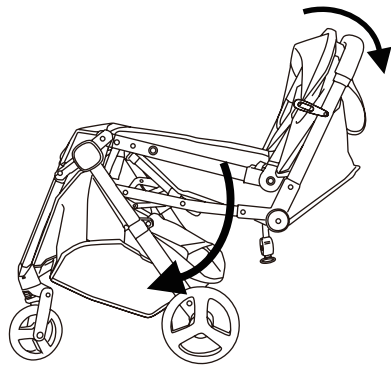


Fig. 10b

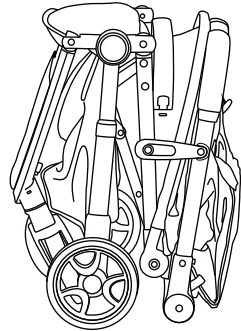


Fig. 10c

TO UNFOLD STROLLER

CAUTION:
Do not allow children near
stroller while unfolding.

- 11) • Unlock the release lever (Fig. 11a) and unfold stroller frame by pulling upward on the stroller handle until the frame locks (Fig. 11b).

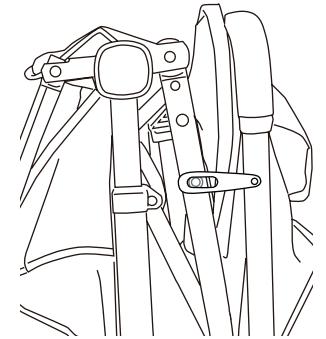


Fig. 11a

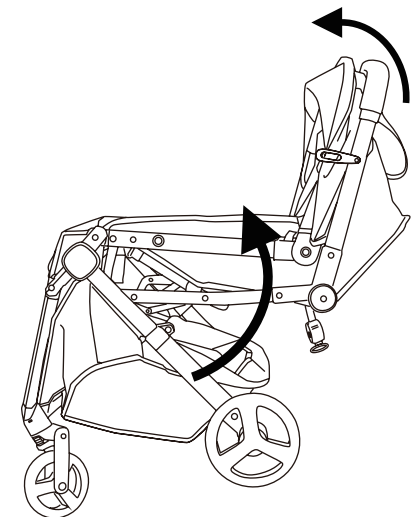


Fig. 11b

MAINTENANCE

CARE AND MAINTENANCE

To clean use only mild household soap or detergent and warm water on a sponge or clean cloth. Do not bleach / Hang to dry / Do not wash / Do not iron / Do not dry clean.

OTHER

- Check your stroller for loose screws, worn parts, torn material or stitching on a regular basis. Replace or repair parts as needed. Contact the customer service line for additional assistance: KG Group at 039-555-9670 or support@kgelectronic.com.au