

Read all instructions BEFORE assembly and USE of product.
KEEP INSTRUCTIONS FOR FUTURE USE.



Quality • Comfort • Style

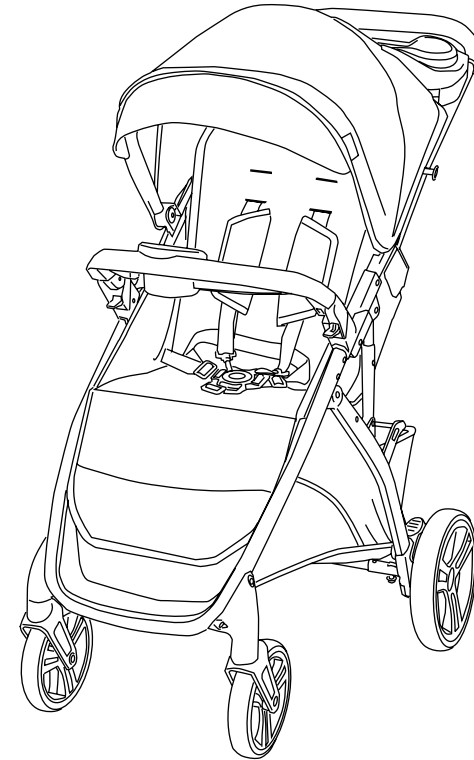
Baby Trend, Inc.
13048 Valley Blvd.
Fontana CA 92335

www.babytrend.com

Imported by:

KG Group
49-51 Sunmore Close,
Heatherton Vic 3202, Australia

Customer Service:
KG Group
039-555-9670
support@kgelectronic.com.au



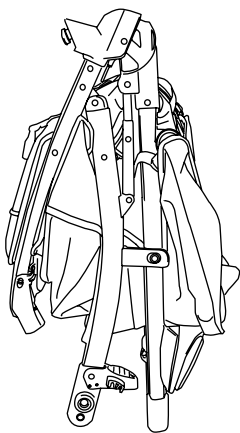
**ST04
Instruction Manual**



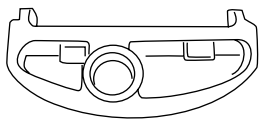
Quality • Comfort • Style

ST04XXX_06082021AU

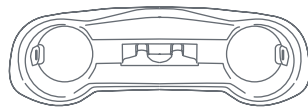
Check that you have all the parts for this model before assembling the stroller.



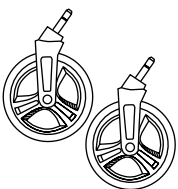
Stroller and Canopy



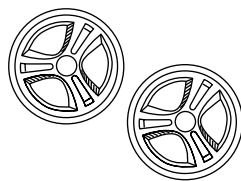
Child Tray



Mobile Phone Positioning Parent Tray



* Front Wheels



* Rear Wheels

* Wheels style may vary.

⚠️ WARNING: Please follow all of these instructions to ensure the safety of your child. Keep these instructions for future reference.

⚠️ WARNING: Failure to follow these instructions could result in serious injury or death. Avoid serious injury from falling or sliding out, always use the safety harness and insure that the children are properly positioned according to these instructions.

⚠️ WARNING: Never leave children unattended.

⚠️ WARNING: Care must be taken when folding and unfolding the stroller to prevent finger entrapment.

⚠️ WARNING: Wheel can detach and cause tip over. Pull on the wheel to assure it is securely attached.

⚠️ WARNING: Care must be taken when folding stroller to prevent damage. Make sure all accessories, mobile phones, diaper bags or purses are removed before folding. Failure to remove items in, or on the stroller so may result in damage to the stroller or the item (s) if not removed. Baby Trend™ will not be liable or warrant any damage.

⚠️ WARNING: TO AVOID INJURY OR DEATH:

- ALWAYS APPLY THE BRAKES WHENEVER THE STROLLER IS STATIONARY.
- DO NOT LEAVE CHILDREN UNATTENDED.
- SECURE THE CHILD IN THE HARNESS AT ALL TIMES.
- DO NOT CARRY EXTRA CHILDREN OR BAGS ON THIS STOLLER.
- MAKE SURE CHILDREN ARE CLEAR OF ANY MOVING PARTS IF YOU ADJUST THE STROLLER.

⚠️ WARNING: USE THE HARNESS AT ALL TIMES.

⚠️ WARNING: USE THE TETHER STRAP TO STOP THE STROLLER FROM ROLLING AWAY.

NEVER leave the harness buckled when not fitted to a child in the stroller because the harness can form loops which may pose a strangulation hazard.

ALWAYS take care and pay attention when erecting and folding the stroller as moving parts can cause injury.

ALWAYS make sure the storage latch is properly engaged before moving or lifting the stroller.

- **CAUTION:** This single stroller is designed for one child only. Use with more than one child may cause the unbalance condition which can injure/ harm your child.
- Purses, shopping bags, parcels, diaper bags or accessory items may change the balance of the stroller and cause a hazardous, unstable condition. No after market accessories are approved for use with this product.
- The maximum weight that can be carried in the storage basket is 5 pounds (2.27kg). Excessive weight may cause a hazardous unstable condition to exist.
- The maximum weight that can be carried in the child tray is 3 pounds (1.36 kg).
- The maximum weight that can be carried in the parent tray is 2 pounds (0.91 kg).
- Be certain the stroller is completely opened and locked in place before allowing a child near the stroller.
- The child occupant must not exceed 50 lbs (22.67 kg) or over 42 inches (106.7 cm) tall when used with the maximum weight on the child tray, parent tray and basket. Do not exceed 60 lbs (27.21 kg) including the weight used in the accessories. Use of the stroller with a total weight more than 60 lbs (27.21 kg) will cause excessive wear and stress on the stroller and may cause a hazardous unstable condition to exist.
- **ALWAYS** use the safety harness and attach all straps correctly.
- **ALWAYS** keep stroller away from fire or any open flame.
- **NEVER** use the stroller on stairways or escalators.
- **NEVER** use the stroller with roller skates, in-line skates, skateboards or bicycles.
- **NEVER** allow your stroller to be used as a toy.
- **NEVER** run or jog with this stroller.

IMPORTANT! To ensure safe operation of your stroller, please follow these instructions carefully. Please keep these instructions for future reference.

IMPORTANT! Before assembly and each use, inspect this product for damaged hardware, loose joints, missing parts or sharp edges. **NEVER** use if any parts are missing or broken.

IMPORTANT! Adult assembly is required.

UNFOLD THE STROLLER FRAME

- 1) • To unfold, unlock the release lever by pulling it out from the rivet (Fig. 1a). Unfold the stroller frame by pulling upward on the stroller handle until the frame locks (Fig. 1b).

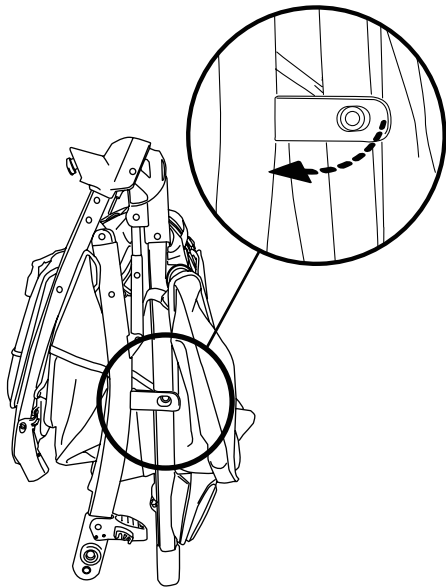


Fig. 1a

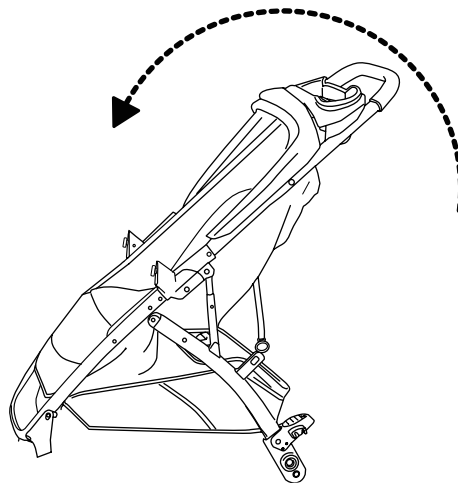


Fig. 1b

FRONT WHEELS / REAR WHEELS

The front wheels and rear wheels **MUST** be installed prior to use.

- 2) • Lean the stroller backwards and push each front wheel posts into the wheel housing. Press firmly to lock each wheel into position (Fig. 2a).
- Lean the stroller forward to rest on the front wheels. Press the rear wheel posts into the rear frame hub until it clicks into place (Fig. 2b).

NOTE: Pull on the front and rear wheel to ensure that it is securely attached to the stroller. NEVER use stroller if wheels do not lock into place. If you need assistance, please contact the customer service line for additional assistance: KG Group at 039-555-9670 or support@kgelectronic.com.au

- If replacing the rear wheel press the release lever and pull the wheel out (Fig 2c).

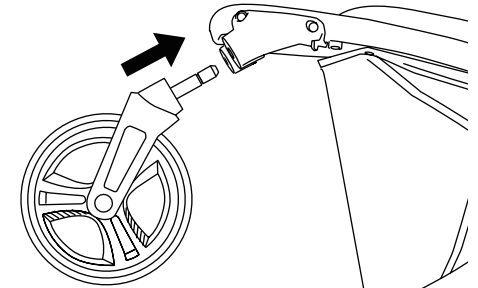


Fig. 2a

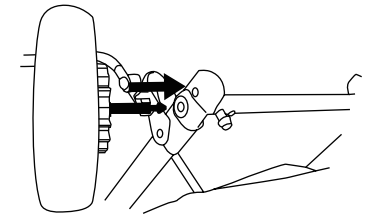


Fig. 2b

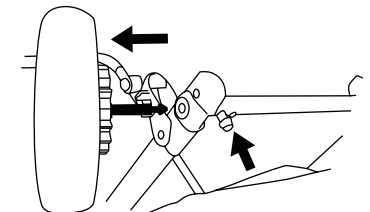


Fig. 2c

SEAT BACK POSITION

- 3) • **To recline the seat:** press the side tabs on the adjuster and pull downward. To place the seat into the upright position, hold the strap hoop and push the adjuster upward (Fig. 3).

NOTE: The upright position should be used only for a child that is at least 6 months old. Always re-adjust the safety harness, including the shoulder belts, when repositioning the seatback.

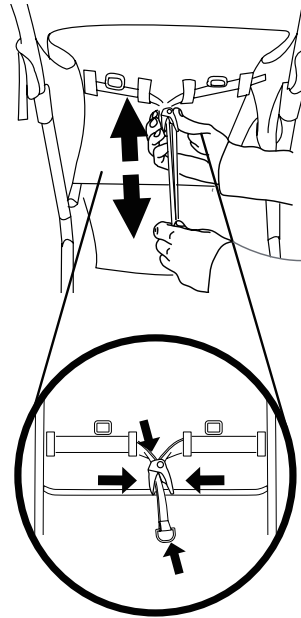


Fig. 3

CANOPY

- 4) • **To open the canopy:** pull front of canopy forward (Fig. 4a).

- On the front edge of the canopy, you can fold the visor in or out for additional shade.

To close the canopy: pull the canopy backwards (Fig. 4b).

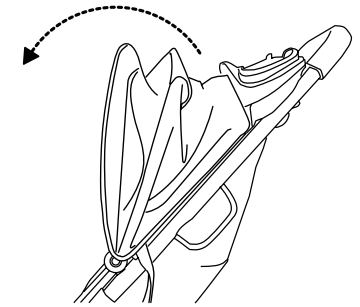


Fig. 4a

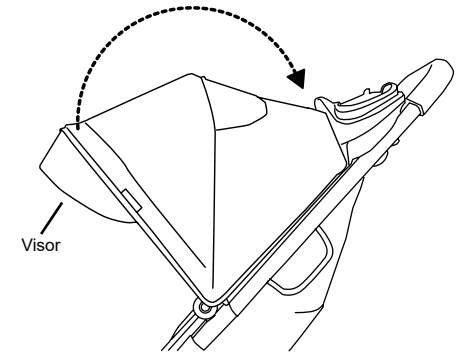


Fig. 4b

- **If assembly or replacement needed:** locate the snap buttons along with the hook and loop fasteners on the underside of the canopy. Join all fasteners to the stroller frame fabric (Fig. 4c).

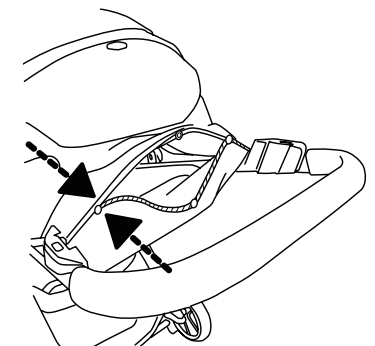


Fig. 4c

FLIP-UP LEG REST / BASKET ACCESS

- 5) • Reach under the leg rest to unsnap the strap and lift it up to access the storage basket (Fig. 5). **NOTE:** Use the edge of the leg rest to access storage basket. Always use the snap closure to secure the storage basket opening when not in use.

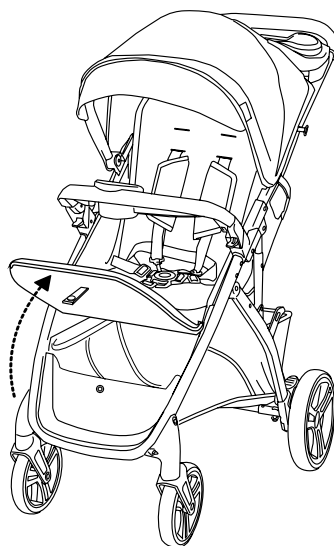
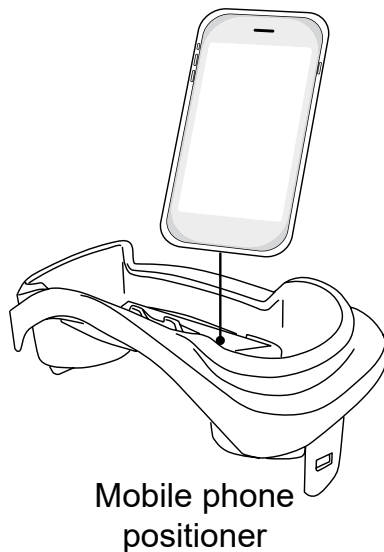


Fig. 5

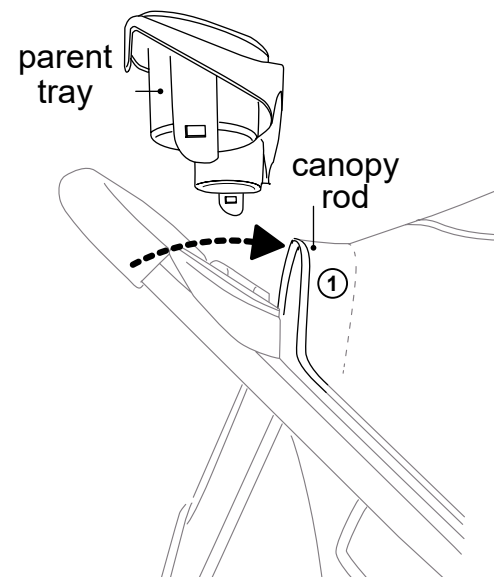
MOBILE PHONE POSITIONING PARENT TRAY

⚠ WARNING: Do not place hot liquids or more than 2 pounds (0.91kg) in the parent tray. Serious burns or unstable conditions can result.

⚠ WARNING: Care must be taken when folding stroller to prevent damage. Make sure all accessories, mobile phones, diaper bags or purses are removed before folding. Failure to remove items in, or on the stroller may result in damage to the stroller or the item (s) if not removed. Baby Trend will not be liable or warrant any damage.



- 6) • **To Insert The Parent Tray:** (1) gently move the canopy rod forward until it clicks into the last position (Fig. 6a).
 • (2) Align the parent tray tabs to the inner tabs on both sides of the stroller. Press the tray down firmly until both tabs click into position (Fig. 6b).



Gently move the canopy fabric and rod forward to attach the tray.

Fig. 6a

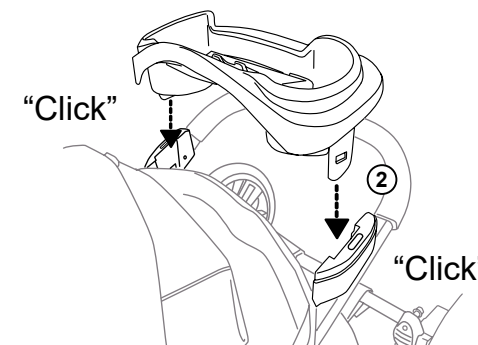


Fig. 6b

- **Mobile phone positioner:** Align mobile phone to the clip and insert it through the grips. Make sure to push the phone all the way down into the positioner (Fig. 6c).

NOTE: The positioner may not accommodate all mobile phones or other devices. Do not use positioner as a secure holder when stroller is not in use or if your phone is loose or is too large.

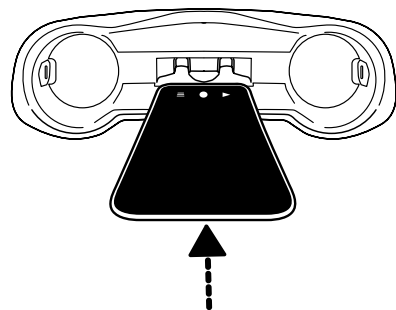
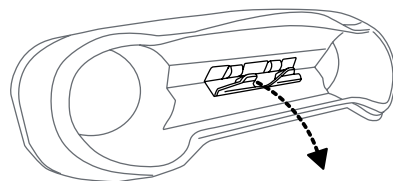


Fig. 6c



Some mobile phones require pulling the tabs to insert.

- **Removal:** Under the stroller frame locate the parent tray tabs. Press them inwards and lift up the tray from the housing (Fig 6d).

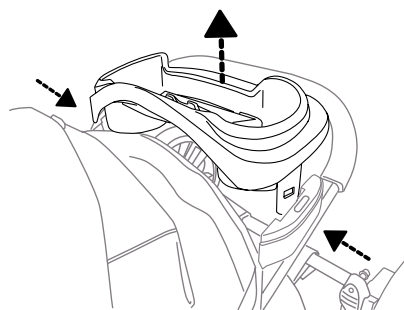


Fig. 6d

CHILD TRAY

- ⚠ **WARNING:** The child's tray is not a restraint device: always secure your child with the seat belt. **DO NOT** lift the stroller by the child's tray. Use care when child is in the stroller and securing the front tray. Do not place hot liquids or more than 3 pounds (1.36 kg) in the child tray. Serious burns or unstable conditions could result.

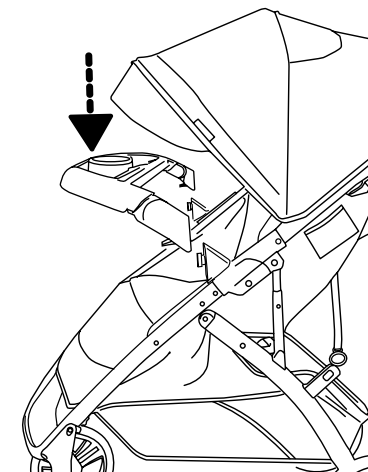


Fig. 7a

- 7) • **To attach the child tray:** Push the tray downward and onto each side of the front armrests until both sides snap into place (Fig. 7a). Check that the tray is secured by slightly pulling it upwards.

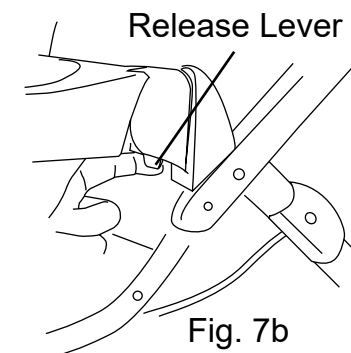


Fig. 7b

- **To access the child seat:** Pull one release lever (Fig. 7b) on the underside of the child tray and lift upward. Either side can rotate up to access the seat (Fig. 7c).
- NOTE:** To remove the child tray: Pull each release lever on both sides of the tray and pull upward.

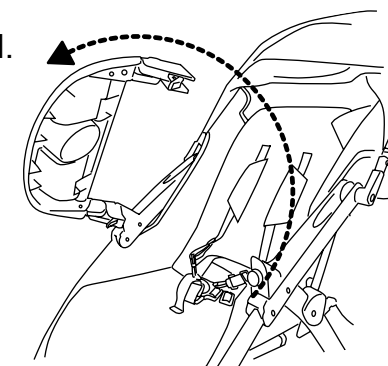


Fig. 7c

REAR BRAKES

⚠ WARNING: Always set brakes when the stroller is not being pushed so that the stroller will not roll away. NEVER leave stroller unattended on a hill or incline as the stroller may slide down the hill.

- 8) • To engage rear brakes, apply downward pressure to the brake levers located on the rear axle. The stroller may require forward or rearward movement in order to engage the brake. Check that the stroller will not move once the brakes are properly applied. To release, gently lift up on the brake levers (Fig. 8).

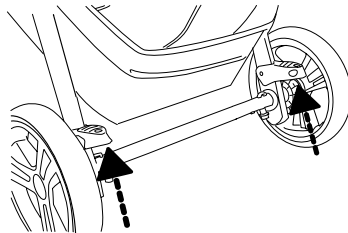
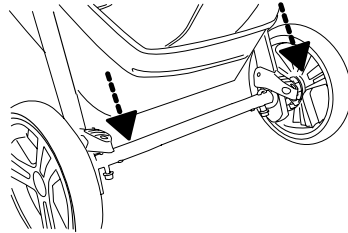


Fig. 8

SECURE THE CHILD

⚠ WARNING: Avoid serious injury from falling or sliding out. Always use the safety harness.

STRANGULATION

HAZARD: Child can strangle in loose safety harness. Never leave child in seat when safety harness is loose or undone.

- 9) • The shoulder straps of the 5-point harness have multiple positions. Select the position that places the shoulder strap level with, or below the top of the child's shoulder (Fig. 9a).

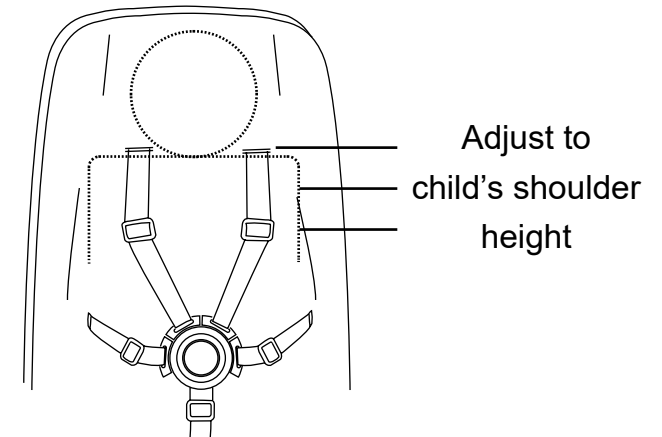


Fig. 9

- **To make adjustments:** undo the hook and loop fasteners underneath the fabric on the rear of the seat. Grip the buckles and pass them through the slots (1).
- Facing the front of the seat Insert the buckles into the appropriate slots (2). Ensure the buckles anchor to the back of the seat and reattach the hook and loop fasteners (3). See the diagram (Fig 9b).

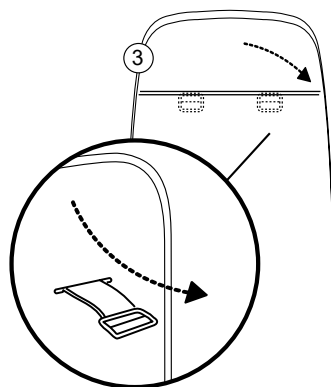
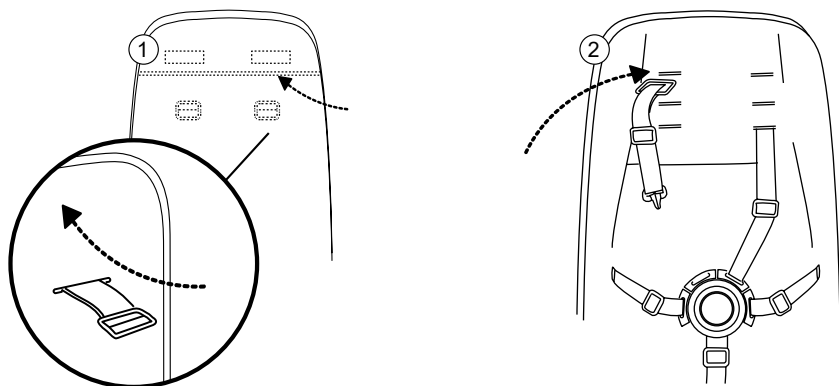


Fig. 9b

- To secure the child, place the safety harness around the child's waist and over the shoulders. Place the crotch strap between the child's legs. Insert the male end of each shoulder/waist belt into the crotch buckle. Tighten all buckles to the proper fit for the child (Fig. 9c).
- If removed, insert the harness straps through the harness covers (Fig. 9d).

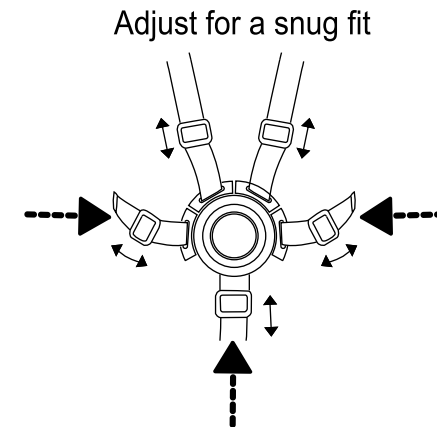


Fig. 9c

- 10) • RELEASE!** Push the button on the center clasp and the all the harness straps will release (Fig. 10).

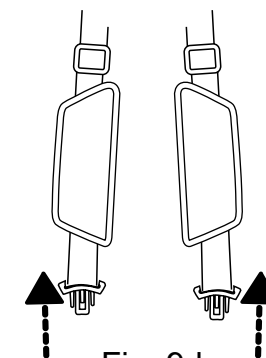


Fig. 9d

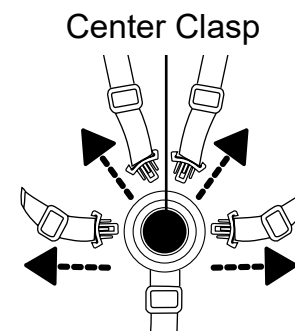
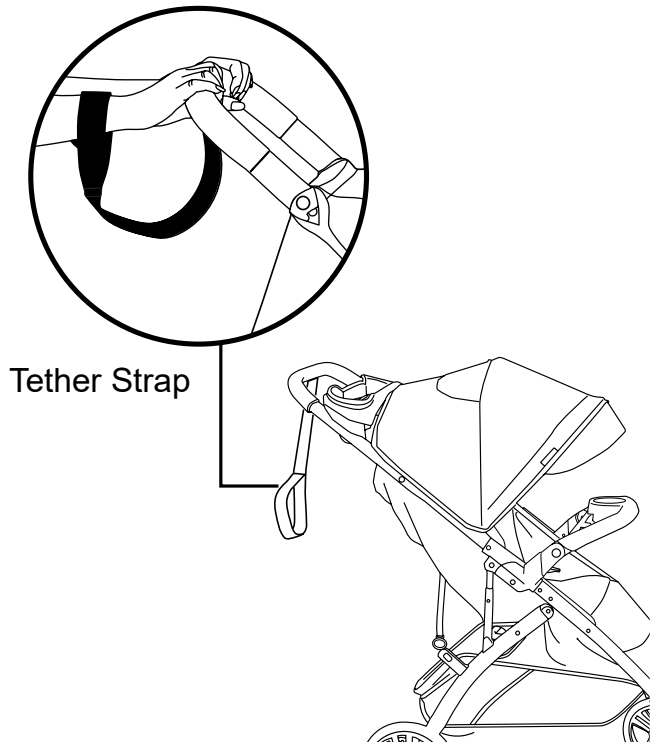


Fig. 10

USING THE STROLLER TETHER STRAP

WARNING: Use the tether strap to stop the stroller from rolling away.

- The stroller is designed for use on flat or gently sloping surfaces, and may be unstable on higher sloping and uneven surfaces. Users should be aware of the possibility of the stroller rolling away or tipping over.
- Never let go of the stroller when parked on an incline or sloping surface because it may slide or tip over. Always park on a flat surface and apply the brakes.
- Always apply the brakes whenever the stroller is stationary.
- A wrist tether strap is provided on the handle grip. Slide your hand through the tether strap loop whenever you use the stroller. Only remove your hand from the tether strap loop when the brakes have been applied to the stroller wheels.



TO FOLD STROLLER

WARNING: Care must be taken when folding and unfolding the stroller to prevent finger entrapment.

CAUTION: Do not allow children near stroller while folding.

WARNING: Care must be taken when folding stroller to prevent damage. Make sure all accessories, mobile phones, diaper bags or purses are removed before folding. Failure to remove items in, or on the stroller so may result in damage to the stroller or the item (s) if not removed. Baby Trend will not be liable or warrant any damage.

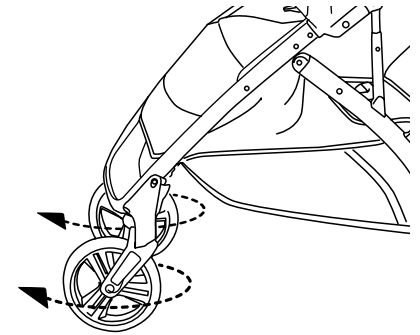


Fig. 11a

- 11) • Close the canopy as described in the canopy section. Pull stroller backward several inches to rotate the front wheels to the rear direction (Fig. 11a).
 - Using one hand on each strap underneath the seat fabric, pull up to unlock the frame (Fig. 11b).

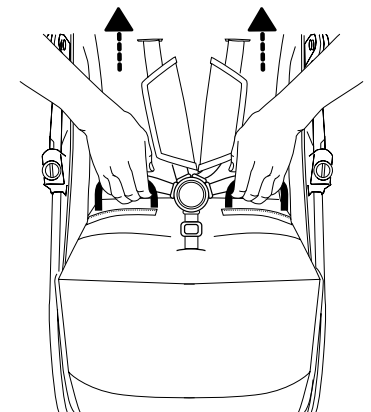


Fig. 11b

- Holding the straps lift the stroller frame until it fully closes (Fig. 11c). Compress the stroller and lock the release lever (Fig. 11d).
- Always tuck the pull straps back into the seat fabric (Fig. 11e).
- Make sure fold lock is engaged and lift or carry stroller by rear leg tubing. **NOTE:** You may rotate the tray down for a compact fold. Press the 2 buttons and rotate the tray down (Fig. 11f).

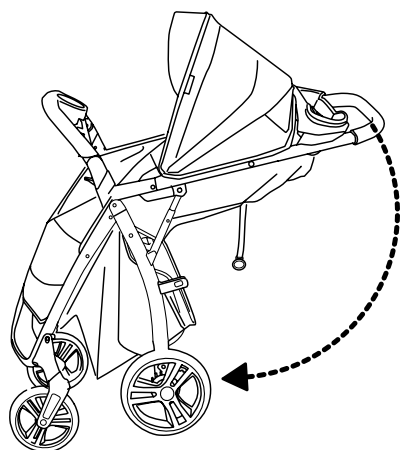


Fig. 11c

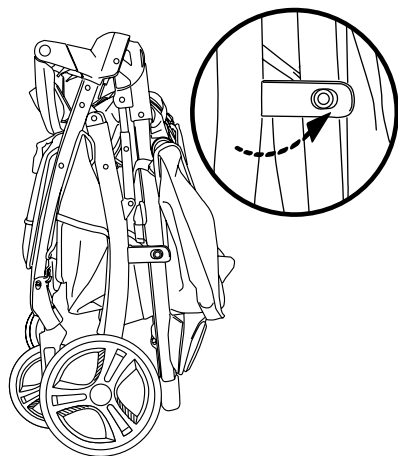


Fig. 11d

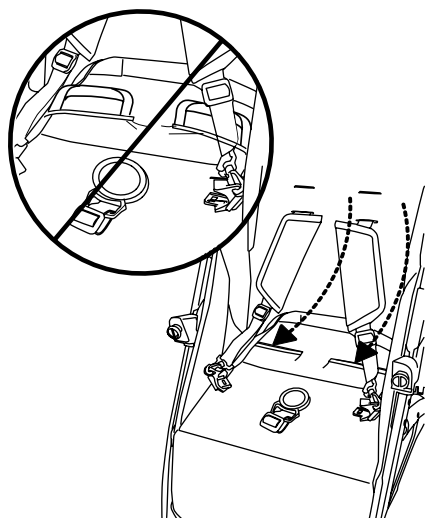


Fig. 11e

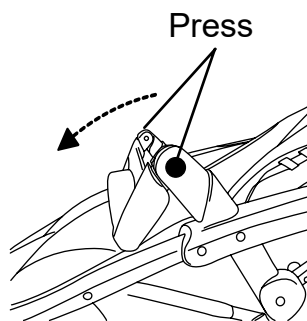


Fig. 11f

TO UNFOLD STROLLER

CAUTION:
Do not allow children near stroller while unfolding.

- Unlock the release lever (Fig. 12a) and unfold stroller frame by pulling upward on the stroller handle until the frame locks (Fig. 12b). Refer to the child tray instruction as needed for removing or adjusting the tray. **See step 7.**

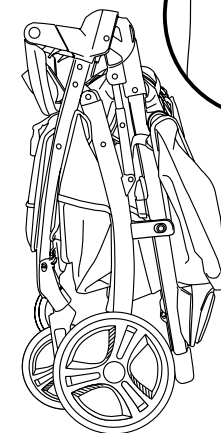
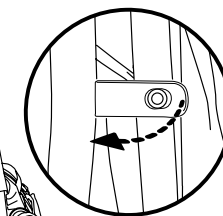


Fig. 12a

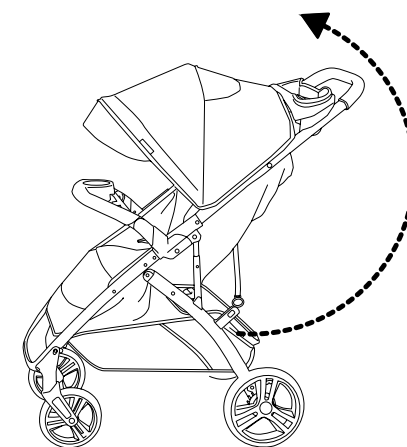


Fig. 12b

SECURING THE SEAT FABRIC

13) • If assembly or replacement needed: Always ensure the strap under the seat is secured. Open the flip-up leg rest (Fig. 5). Ensure that the strap is through the buckle and pulled tightly. The strap must be secured completely with the hook and loop fastener (Fig. 13a).

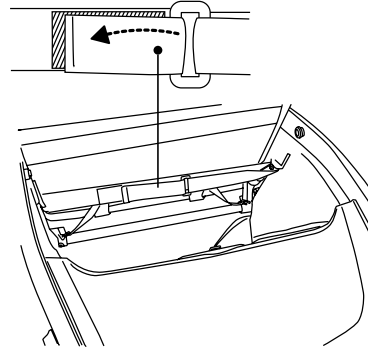


Fig. 13a

• Lean stroller forward and locate the straps with D-rings underneath the stroller seat. Thread the longer strap through the corresponding slot shown in (Fig. 13b). Thread each strap completely through the D-ring opening to create a loop. Once the strap is completely through, repeat to secure the other strap. Ensure the straps are secured correctly to fold the stroller.

D-ring and strap
Correas las anillas en D
Sangles avec les anneaux en D

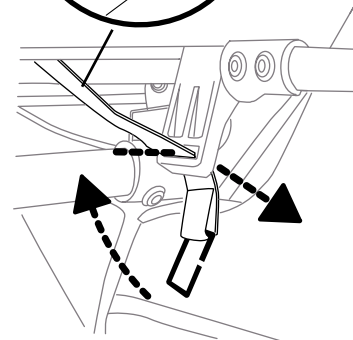
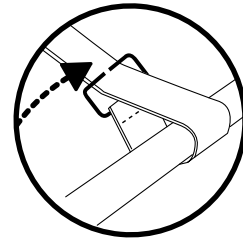


Fig. 13b

• Secure the shorter straps with D-Rings around the bar underneath the seat as shown in (Fig. 13c). Thread each strap completely through the D-ring opening to create a loop. Ensure straps are secure to the bar before using the stroller.

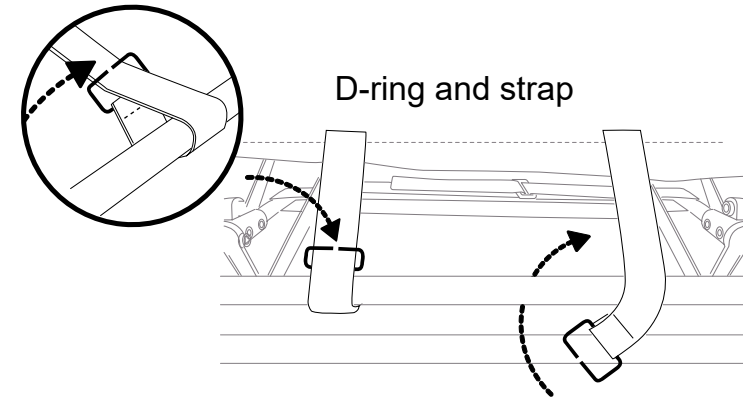


Fig. 13c

FRONT WHEEL RELEASE

- 14) • If replacing the front wheel, push the release button on the side of the wheel hub and pull the wheel from the hub (Fig. 14).

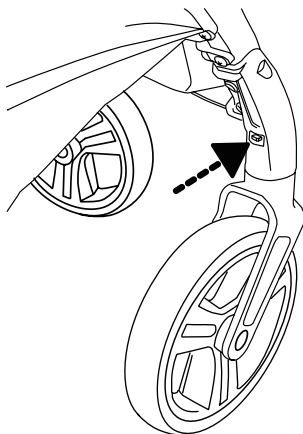


Fig. 14

CARE AND MAINTENANCE

SEAT PAD

- To clean the seat pad, use only mild household soap or detergent and warm water on a sponge or clean cloth. Do not bleach / Hang to dry / Do not wash / Do not iron / Do not dry clean.

OTHER

- Check your stroller for loose screws, worn parts, torn material or stitching on a regular basis. Replace or repair parts as needed. Contact the customer service line for additional assistance: KG Group at 039-555-9670 or support@kgelectronic.com.au

