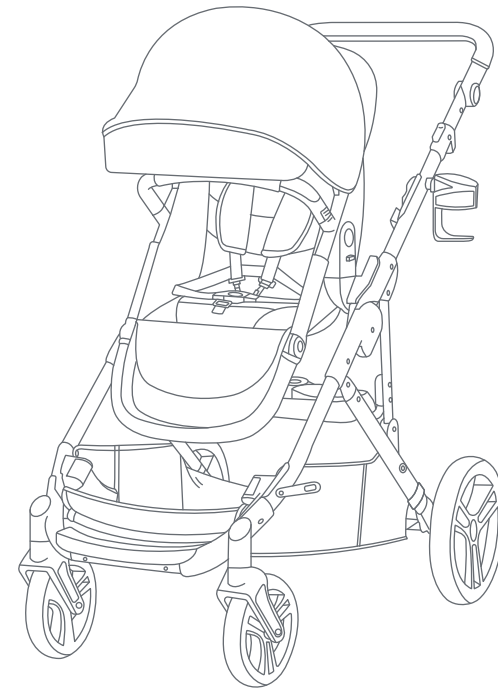


Read all instructions BEFORE assembly and USE of product.
KEEP INSTRUCTIONS FOR FUTURE USE.
Lea todas las instrucciones ANTES de armar y USAR el
producto. CONSERVE LAS INSTRUCCIONES PARA USO FUTURO.

Morph Single to Double Modular Stroller



Instruction Manual
Manual de Instrucciones

ST11xxxA

Baby Trend, Inc.
13048 Valley Blvd.
Fontana CA 92335

1-800-328-7363
(8:00 a.m. ~ 4:30 p.m. PST)
www.babytrend.com





WARRANTY

DO NOT RETURN YOUR PRODUCT TO THE STORE. PLEASE CONTACT BABY TREND® FOR REPLACEMENT PARTS, SERVICE AND REPAIR.

The Baby Trend® warranty covers workmanship defects within 1 year of purchase. Any product which has been subjected to misuse, abuse, abnormal use, excessive wear and tear, improper assembly, negligence, environmental exposure, alteration or accident, or has had its serial number altered or removed invalidates all claims against the manufacturer. Any damage to property during installation is the sole responsibility of the end user.

Customer Service Department can be contacted at 1 (800) 328-7363 Monday through Friday between 8:00 a.m. and 4:30 p.m. (PST). Return Authorizations are required prior to returning product(s) to Baby Trend®. Please visit <http://babytrend.com/pages/limited-warranty> for complete warranty details.

GARANTIA






NO DEVUELVA SU PRODUCTO A LA TIENDA. POR FAVOR CONTACTE A BABY TREND® PARA PIEZAS DE REPUESTO, SERVICIO Y REPARACION.

La garantía de Baby Trend® cubre defectos de fábrica por 1 año después de la compra. Cualquier producto que haya sido sometido a uso inadecuado, abuso, uso anormal, desgaste excesivo, montaje incorrecto, negligencia, exposición ambiental, alteración o accidente, o cuyo número de serie haya sido alterado o removido, anula todos los reclamos contra el fabricante. Cualquier daño a la propiedad durante la instalación es la exclusiva responsabilidad del usuario final.

El Departamento de Servicio al Cliente está disponible llamando al 1 (800) 328-7363, de lunes a viernes de 8:00 a.m. a 4:30 p.m. (PST). Se requiere una Autorización de Devolución antes de poder devolver el o los productos a Baby Trend®. Visite <http://babytrend.com/pages/limited-warranty> para conocer todos los detalles de la garantía.

Baby Trend, Inc. 13048 Valley Blvd. Fontana CA 92335
1-800-328-7363 • (8:00am ~ 4:30pm PST)
www.babytrend.com

WARNING

-  **WARNING:** Please follow all of these instructions to ensure the safety of your child. Keep these instructions for future reference.
-  **WARNING:** Failure to follow these instructions could result in serious injury or death. Avoid serious injury from falling or sliding out, always use the safety harness and insure that the children are properly positioned according to these instructions.
-  **WARNING:** Wheel can detach and cause tip over. Pull on the wheel to assure it is securely attached.
-  **WARNING:** Care must be taken when folding and unfolding the stroller to prevent finger entrapment.
-  **WARNING:** Child may slip into leg openings and strangle. NEVER use in full recline position unless the seat is in full recline and footrest buckle released.

Stroller accommodates 2 children max. Do not exceed.

- The Front / Rear Stroller Seat is designed for a child who is at least 6 months and is not over 40 inches (102 cm) tall. Max. weight 50 pounds (22.67 kg) each. Use of the stroller with (2) children weighing more than 50 pounds (22.67 kg) each will cause excessive wear and stress on the stroller and may cause a hazardous unstable condition.
- The rear stand on platform and jump/rear seat are designed for a child who is at least 2 1/2 years old and is not over 40 inches (102 cm) tall. Children totaling more than 100 pounds (45.35 kg), will cause excessive wear and stress on the stroller and may cause a hazardous unstable condition to exist.
- Purses, shopping bags, parcels, diaper bags or accessory items may change the balance of the stroller and cause a hazardous, unstable condition. Adding an extra parcel bag or parcel rack will render the stroller unstable.
- ONLY the seat comes with this travel system can be used on the frame.
- The maximum weight that can be carried in the storage basket is 5 pounds (2.27kg).
- The maximum weight that can be carried in the cup holder is 1 pound (0.45kg).
- The maximum weight that can be carried in the parent phone holder is 1 pound (0.45kg).
- Be certain the stroller is completely opened and locked in place before allowing a child near the stroller.
- The maximum weight for the infant car seat is 30lb (13.6kg).
- NEVER leave child unattended.

WARNING

- NEVER use the stroller on stairways or escalators.
- NEVER use the stroller with roller skates, in-line skates, skateboards or bicycles.
- NEVER allow your stroller to be used as a toy.
- To clean use only mild household soap or detergent and warm water on a sponge or clean cloth.
- Check your stroller for loose screws, worn parts, torn material or stitching on a regular basis. Replace or repair parts as needed.
- Discontinue use of stroller should it malfunction or become damaged. Please contact our customer service department to arrange for repair or obtain replacement parts.

IMPORTANT! To ensure safe operation of your stroller, please follow these instructions carefully. Please keep these instructions for future reference.

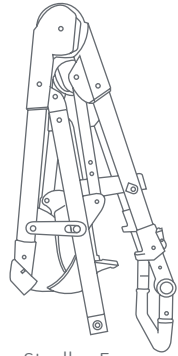
IMPORTANT! Before assembly and each use, inspect this product for damaged hardware, loose joints, missing parts or sharp edges. NEVER use if any parts are missing or broken.

IMPORTANT! Adult assembly is required. Keep child away during unpacking and assembly.

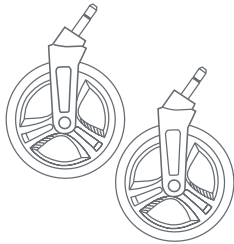
IMPORTANT ! When using two car seats or any dual seating combination, make sure to first put the child in the REAR seat, and then the FRONT seat. When removing child, start in the FRONT seat first, then remove the child from the REAR seat.

IMPORTANT! For use of two car seats or any dual seating combination, both seats must have weight in them. Always sit the 2 children at the same time.

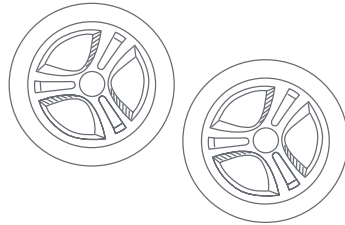
Check that you have all the parts for this model before assembling the stroller.



Stroller Frame



*Front Wheels (x2)



*Rear Wheels (x2)



Bumper Bar with Handle Cover



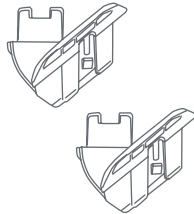
Flex-Hold Cup Holder



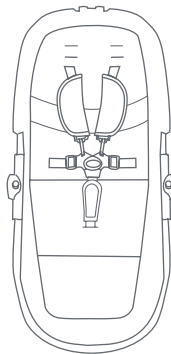
Parent Phone Holder



Handle Cover



Stroller Modular Adapters (x2)



Toddler Seat



Canopy

*Wheel styles may vary.

1 SET UP THE STROLLER FRAME

Unlock

Unlock the fold latch (Fig. 1a) and unfold stroller frame by pulling upward on the stroller handle until the frame locks (Fig. 1b).

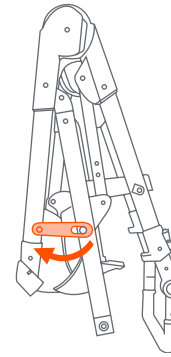


Fig. 1a

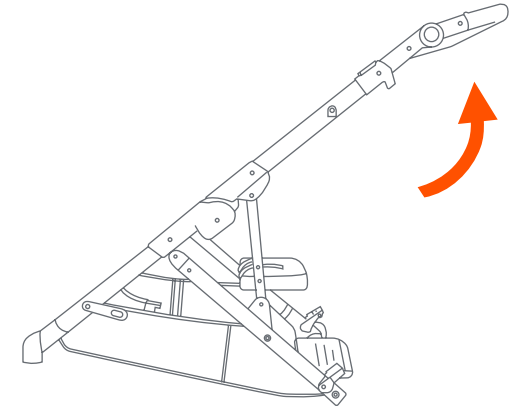
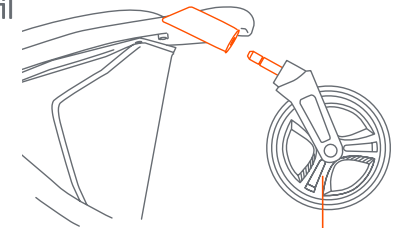


Fig. 1b

2 FRONT WHEELS

Lean the stroller backwards and push each front wheel assembly into the front wheel housing until they lock into place (Fig. 2).



Black cap facing outwards

Fig. 2

3 REAR WHEELS

Press the rear wheel posts into the rear frame hub until it clicks into place (Fig. 3).

NOTE: Pull on the rear wheel assembly to ensure that it is securely attached to the stroller.

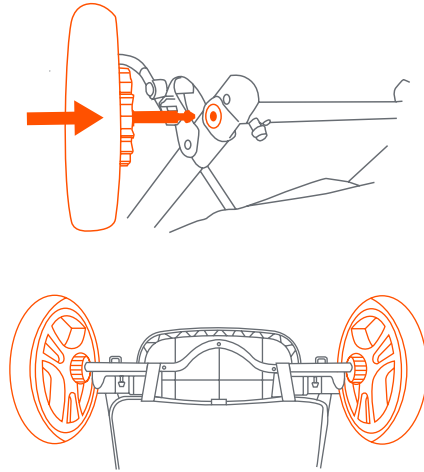


Fig. 3

4 REAR BRAKES

⚠ WARNING: Always set brakes when the stroller is not being pushed so that the stroller will not roll away. NEVER leave stroller unattended on a hill or incline as the stroller may slide down the hill.

Engage and Release

Press down the brake levers to engage and lift up on the brake levers to release. The stroller may require forward or rearward movement in order to engage the brake. Check that the brakes are properly applied (Fig. 4).

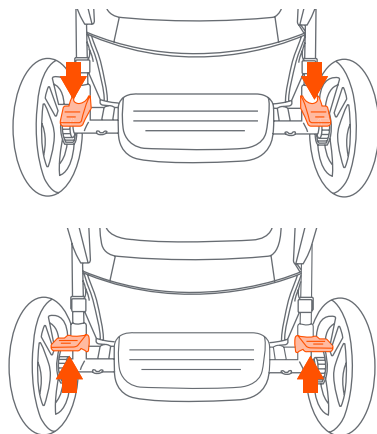


Fig. 4

5 PARENT PHONE HOLDER

⚠ WARNING: The maximum weight that can be carried in the parent phone holder is 1 pound (0.45kg).

Slide the clip on the phone tab located on the stroller handle until it's tightly secured (Fig. 5). To release, simply pull the parent phone holder upwards.

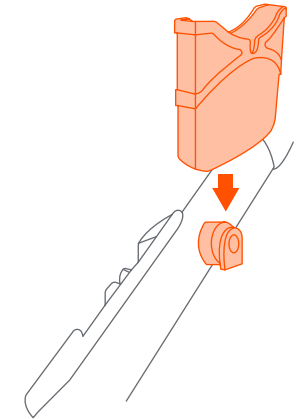


Fig. 5

6 CUP HOLDER

⚠ WARNING: To avoid burns, never put hot liquids in a cup holder. Avoid possible tipping, do not place more than 1lb. (0.45kg) in a cup holder.

Slide the clip on the cup holder over the cup holder tab on the handle bar. Push until firmly in place (Fig. 6).

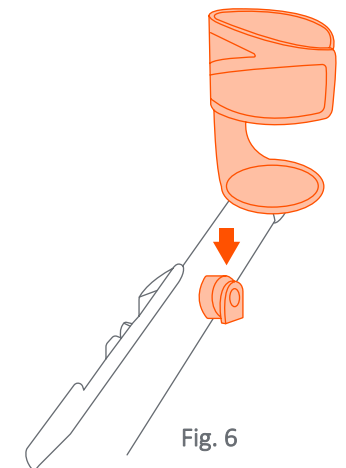


Fig. 6

7 STROLLER HANDLE COVER FEATURE

Removal

Unzip to remove (Fig. 7a).

To Attach

Wrap around the handle and zip closed (Fig. 7b).

NOTE: May be stored in the storage basket.

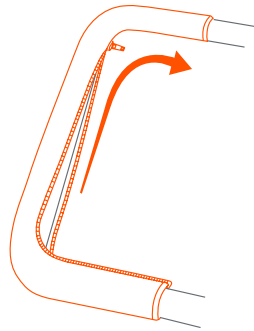


Fig. 7a

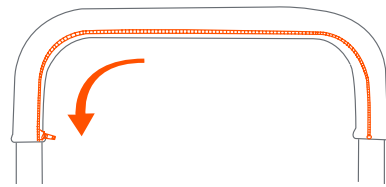


Fig. 7b

8 STORAGE BASKET

Check all attachments

If received unattached, follow below instructions to attach:

Ensure that all straps and snap closures are attached correctly.

NOTE: Always secure the snaps shown in (Fig. 8a).

Ensure the zipper for the basket is secured (Fig. 8b) and the straps near the rear wheels (Fig. 8c).

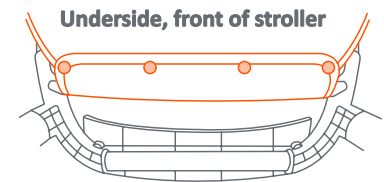
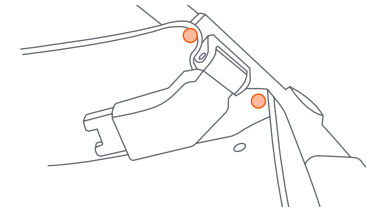


Fig. 8a

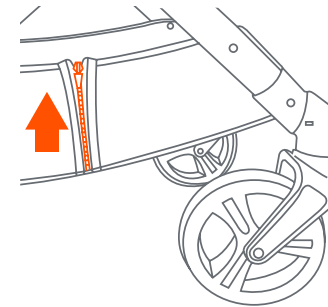


Fig. 8b

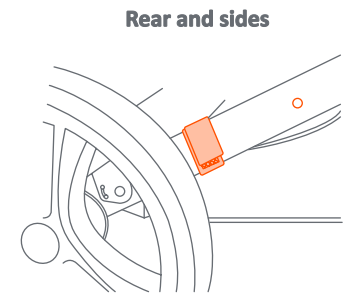
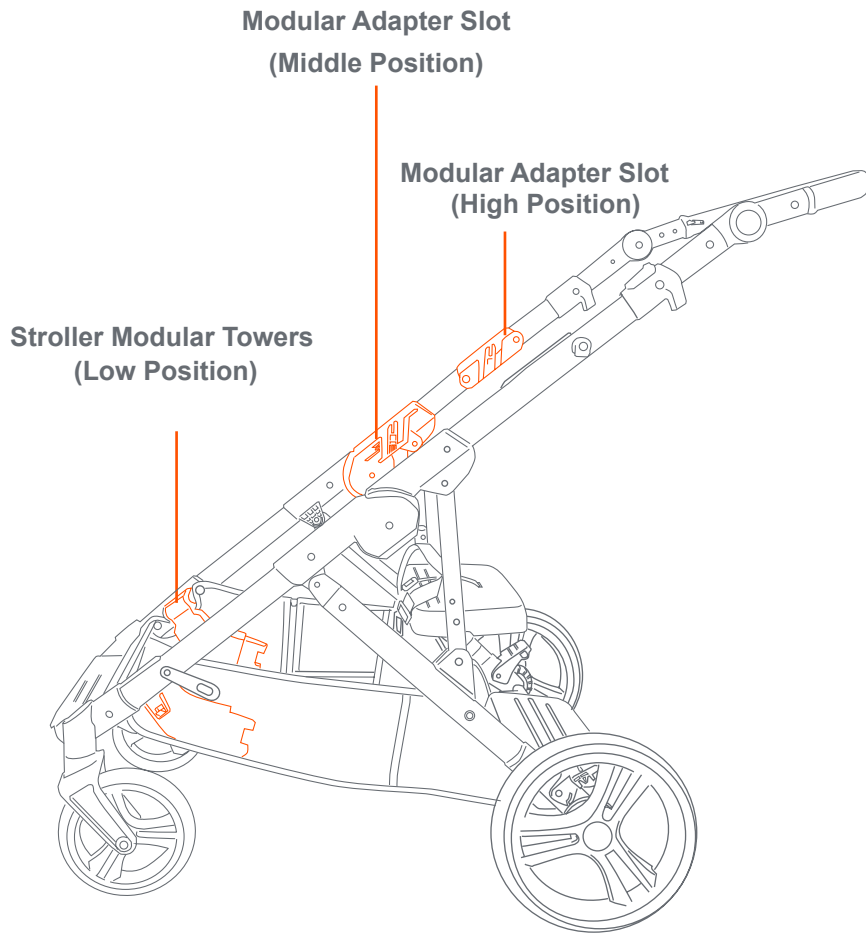


Fig. 8c

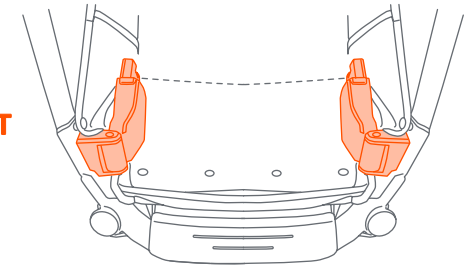
STROLLER POSITIONS



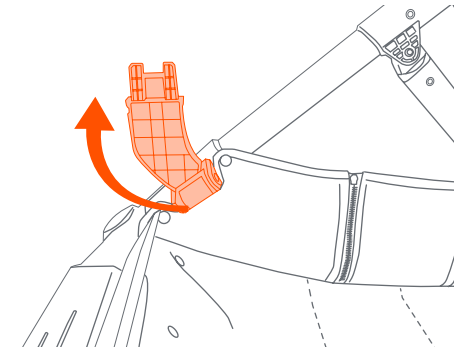
9 Stroller Modular Towers

IMPORTANT! For any accessory that is placed at the lowest position, the stroller towers **MUST** be in an upright position.

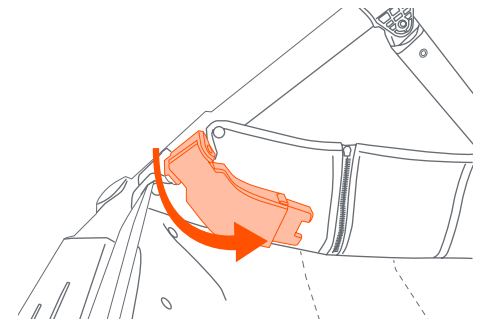
To Use Front Modular Towers
At the front of the stroller frame, locate the 2 stroller modular towers (Fig. 9a).



Lift and rotate the tower to the upright locked position (Fig. 9b). Repeat for the other side.



Hideaway
To put away, rotate the tower down to its storage locked position (Fig. 9c). Repeat for the other side.



10 STROLLER MODULAR ADAPTERS

IMPORTANT! For any accessory that is placed at the highest or middle position, the stroller adapters **MUST** be installed at the same height level on the stroller frame.

To Install

Insert the adapter onto the stroller frame as shown until it clicks and locks in (Fig. 10a). Repeat for the other side.

Example

See (Fig. 11e) for an example for installing an accessory.

Removal

Press the button and lift the adapter up simultaneously (Fig. 10b). Repeat for the other side.

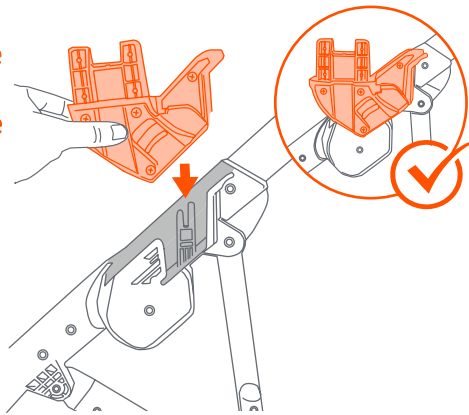


Fig. 10a

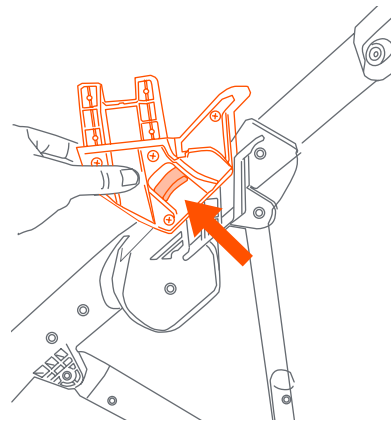


Fig. 10b

11 ASSEMBLING THE TODDLER SEAT

Unfold the toddler seat fully (Fig. 11a).

To assemble the toddler seat, unzip the zipper fully, located underneath the seat (Fig. 11b).

Unwrap the fabric from the tube (Fig. 11c). **(1)** Push the lower tubes into the inner slot of the seat frame. **(2)** Ensure the push pin clicks into place on both sides. Then wrap the fabric back, and zip the zipper around the seat frame.

If received unattached, follow below instructions to attach:

Feed the strap through the tab to anchor the seat fabric on the seat frame, ensure the toddler seat is secured (Fig. 11d). Repeat for the other side.

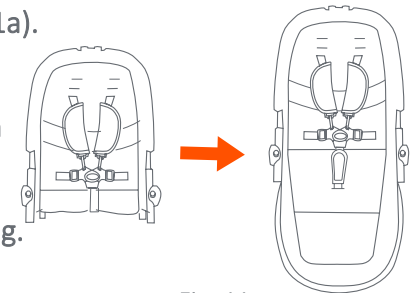


Fig. 11a

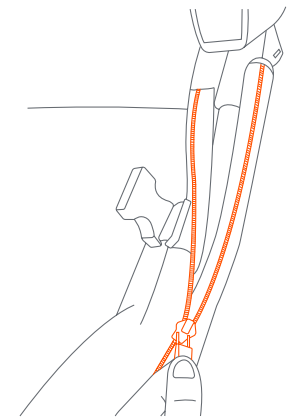


Fig. 11b

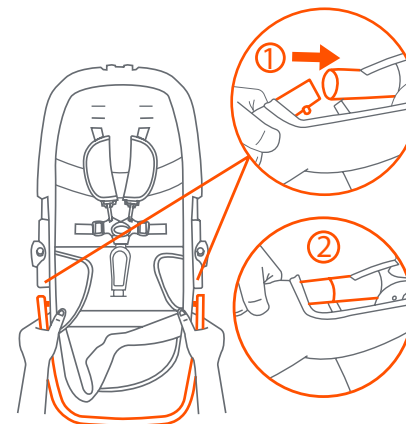


Fig. 11c

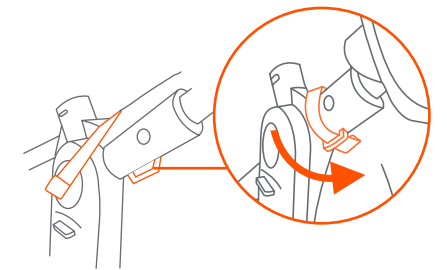


Fig. 11d

Ensure the stroller adapters are positioned on the middle position. See step 10 for installation.

Attach the seat by lining up the seat anchors on the side of the seat with the anchors on the stroller frame and pushing them together until they click securely (Fig. 11e). **The seat can face in either direction, frontward or backward.**

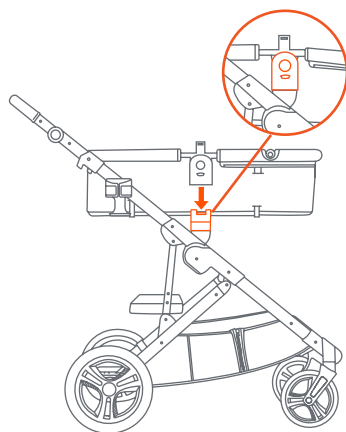


Fig. 11e

Carriage Mode

Make sure the buckle strap underneath the seat is unbuckled. Then loosen the recline seat strap by squeezing the adjuster and pulling downwards (Fig. 11f). The carriage should be fully extended before using. **NOTE: The footrest area should be unbuckled (Fig. 11g).**

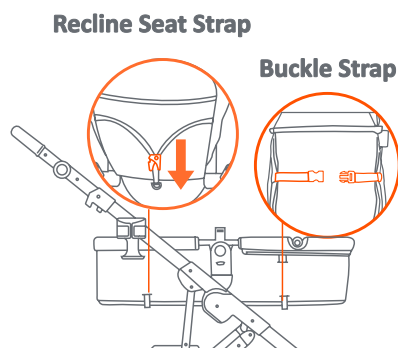


Fig. 11f

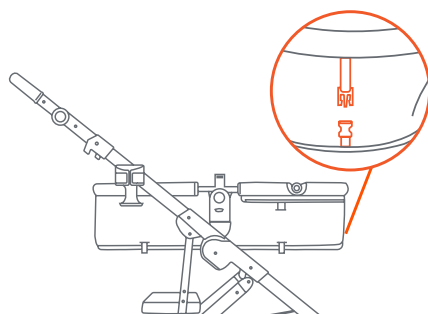


Fig. 11g

12 BUMPER BAR HANDLE COVER

To attach: Before attaching the bumper bar to the stroller, wrap the handle cover around the bar (Fig. 12a).



Fig. 12a

13 BUMPER BAR

⚠ WARNING: Do not use bumper bar to lift or carry seat with child inside. The bumper bar is not a carrying handle.

⚠ WARNING-FALL HAZARD: Bumper bar is not designed to support a car seat, stroller may become unstable.

Attach the bumper bar by lining up anchors with the slots on the seat. Push until it locks into place (Fig. 13a). **NOTE: The bumper bar must be securely attached before using this product.**

To detach the bumper bar, press the release button on the bottom of the bar on each side, and pull bar out of the anchors (Fig. 13b).

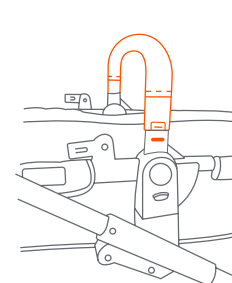


Fig. 13a

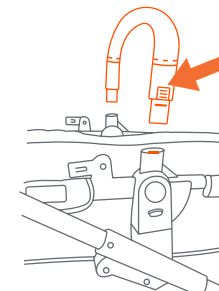


Fig. 13b

14 TO ADJUST SEAT

⚠ WARNING: The upright position should be used only for a child that is at least 6 months old.

Toddler Seat Mode: The seat can be adjusted into an upright, reclined position. Push the center button on both sides of the stroller adapter to rotate the seat (Fig. 14a).

Rotate the seat into the desired position until it clicks into place (Fig. 14b). The seat can face in either direction, forward or backward.

Buckle the strap located underneath the seat (Fig. 14c). To tighten the strap, use the hook and loop method through the clip. Pull the strap firmly and attach. To adjust the recline seat strap, squeeze the adjuster while pulling downwards or upwards (Fig. 14d).

NOTE: There are **6 positions** for the leg-rest. Press on both sides to unlock, adjust to desired position and release the buttons to lock into position (Fig. 14e).

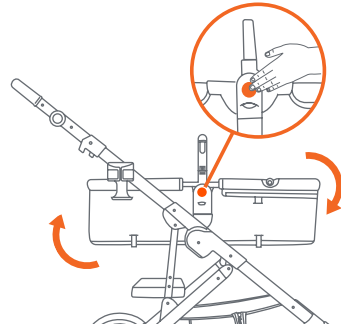


Fig. 14a

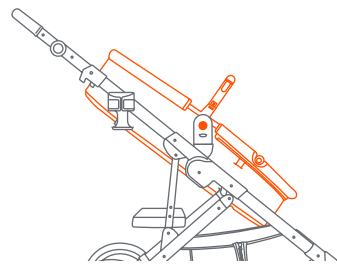


Fig. 14b

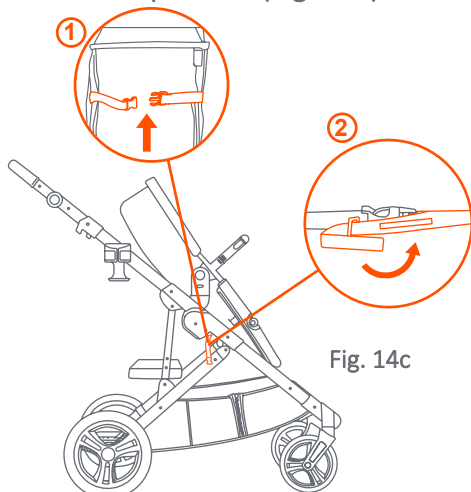


Fig. 14c

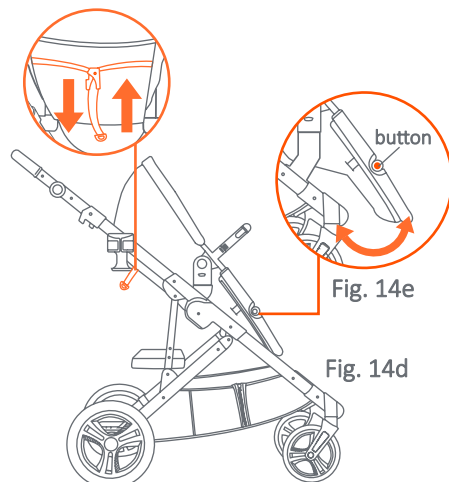


Fig. 14d

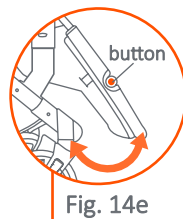


Fig. 14e

15 REMOVABLE CANOPY

To attach the removable canopy: Slide the canopy clips on the inside of the corresponding slots on the stroller frame (Fig. 15a).

Pull over the back of the canopy fabric to connect the three attachments located on the top of the seat frame (Fig. 15b).

To open the canopy: Push forward on the front edge of the canopy while holding the rear of canopy in place (Fig. 15c).

To fold the canopy: Pull backwards on the front edge (Fig. 15d).

To remove the canopy: Press inward on both canopy tabs and slide the canopy up to remove (Fig. 15e).

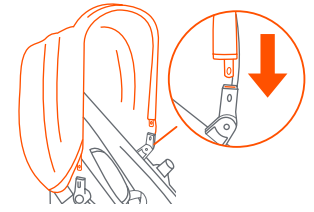


Fig. 15a

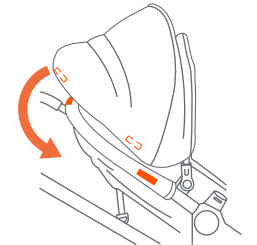


Fig. 15b

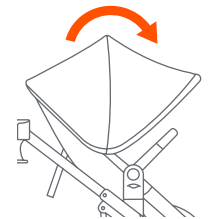


Fig. 15c

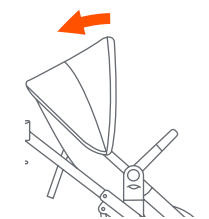


Fig. 15d

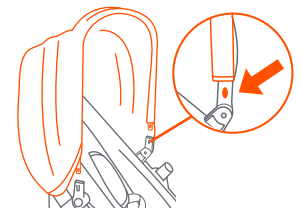


Fig. 15e

16 TO SECURE THE CHILD

⚠️ WARNING: Avoid serious injury from falling or sliding out. Always use the safety harness.

⚠️ STRANGULATION HAZARD: Child can strangle in loose straps. Never leave child in seat when straps are loose or undone.

Type 1

The shoulder straps of the 5-point harness have 3 attachment positions. Select the position that places the shoulder strap level with, or below the top of the child's shoulder (Fig. 16a). To adjust harness height unhook the shoulder strap from the crotch buckle. Feed the shoulder strap through the harness spread slots. You can access these slots from the rear of the seat underneath the fabric. Feed shoulder strap through the appropriate slot and reattach the shoulder strap to the crotch buckle.

Carefully place the child in the stroller seat and bring the safety harness around the child's waist and over the child's shoulders. Place the crotch strap between the child's legs. Insert the male end of each shoulder/waist belt into the buckle on the crotch strap. Tighten the harness so it is snug around the child's waist and over the child's shoulders (Fig. 16b).

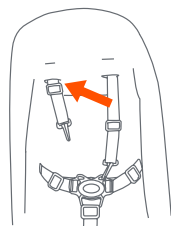
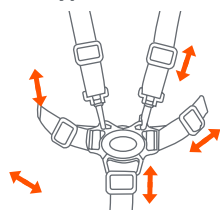


Fig. 16a

Type 1 Buckle



Adjust for a snug fit

Fig. 16b

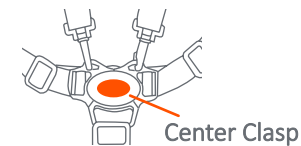
TO RELEASE THE CHILD

Type 1

To release, push the button on center clasp and the two harness buckles will pop free (Fig. 16c).

Unhook the shoulder straps only if adjusting the harness positions (Fig. 16d).

Type 1



Center Clasp

Fig. 16c

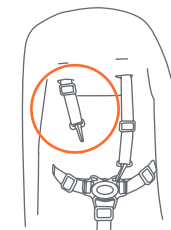


Fig. 16d

17 DETACH THE SEAT

NOTE: The stroller can be folded with or without the seat attached.

Push the lower buttons on each side of the seat to disengage from the stroller frame (Fig. 17).

DO NOT detach with child in the stroller seat.

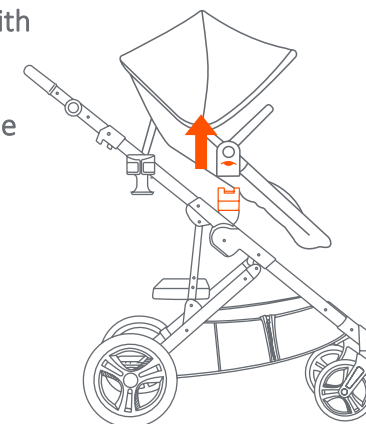


Fig. 17

*Car Seat Sold Separately

18 THE INFANT CARSEAT

⚠ WARNING: Avoid serious injury from falling or sliding out, always use the Infant Car Seat harness.

CS01 EZ-Lift, CS02 EZ-Lift PLUS and CS03 EZ-Lift PRO Infant Car Seats

Refer to step 10 to install the 2 stroller modular adapters.

Align the car seat module to the stroller modular adapters. Latch the module into the stroller frame. Underneath the car seats handle hub, carefully align it to the modular towers of the stroller frame. Press down firmly for the click. **ALWAYS** ensure that the car seat is properly connected and locked onto the stroller before each use by lifting up on the car seat handle (Fig. 18a).

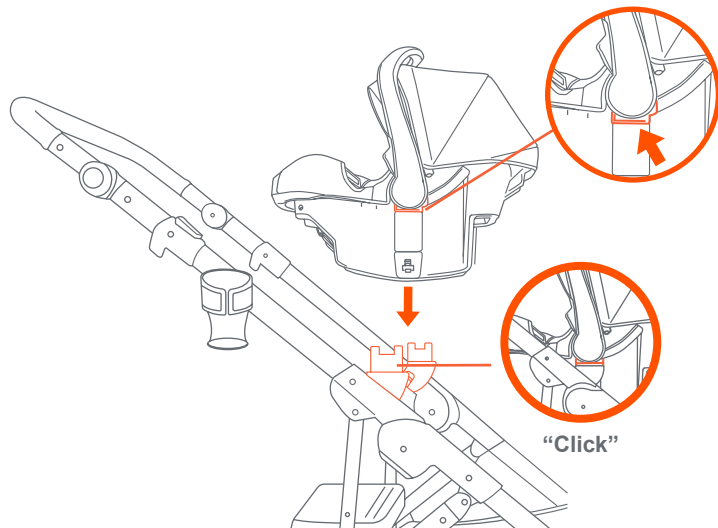


Fig. 18a

*Car Seat Sold Separately

Removing the car seat:

Set handle to the carry position (Fig. 18b). Squeeze the release handle located at the Top-rear of the car seat and lift away from the stroller (Fig. 18c).

Fold away the stroller towers when not in use (See Fig. 9c).

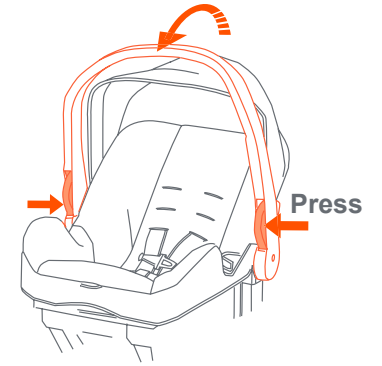


Fig. 18b

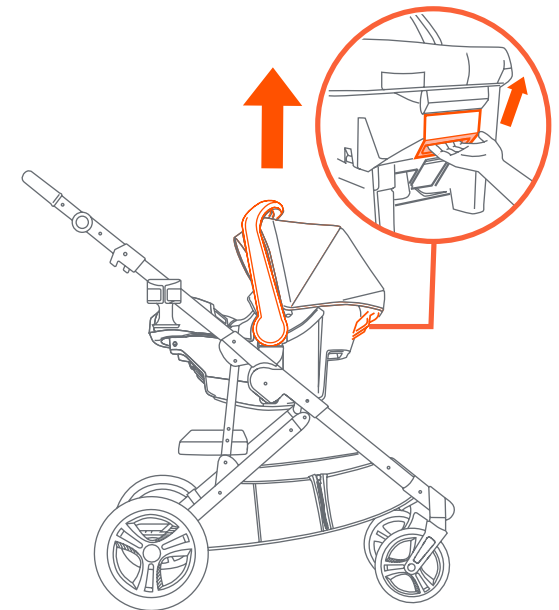


Fig. 18c

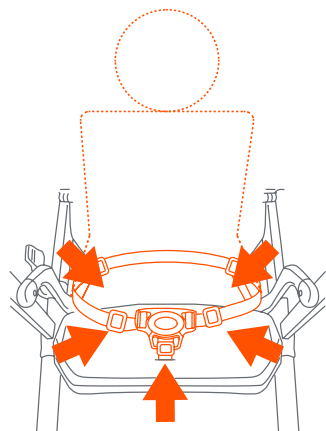
19 USING THE REAR JUMP SEAT

⚠️ WARNING: The rear platform and jump seat are designed to accommodate a child who is at least 2 1/2 years old, has good balance and coordination, and is not over 40 inches tall.

Have the child sit on the jump seat facing backwards. Secure the child with the jump seat 3-point harness (Fig. 19a).

Put the seat belt around the child's waist, and buckle to the crotch strap (Fig. 19b). Adjust the seat belt to be snug around the child's waist.

TO RELEASE! Push the button on the center clasp and all the harness straps will release (Fig. 19c).



Jump Seat 3-point Harness

Fig. 19a

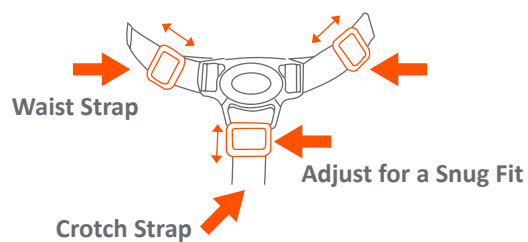


Fig. 19b

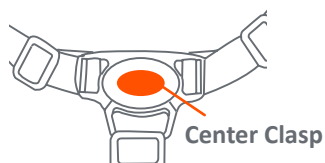


Fig. 19c

IMPORTANT! When the child is sitting on the rear jump seat, please remove the adapter from the highest position and place them into the middle position or put them into the storage basket.

20 USING THE PLATFORM

⚠️ WARNING: The rear platform and jump seat are designed to accommodate a child who is at least 2 1/2 years old, has good balance and coordination, and is not over 40 inches tall.

IMPORTANT! Before using the platform, remove any accessory if placed on the highest position.

First engage the rear brakes (Fig. 20a). Place child in rear-facing standing position.

NOTE: Ensure the child holds the frame with both hands at all times. See (Fig. 20b) where the child can hold the stroller frame.

Position the child on the platform on the back of the stroller. Be sure child is standing facing forward and hands are holding frame. Be sure that the child's feet are fully on the platform at all times.

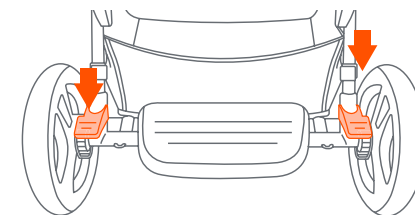


Fig. 20a

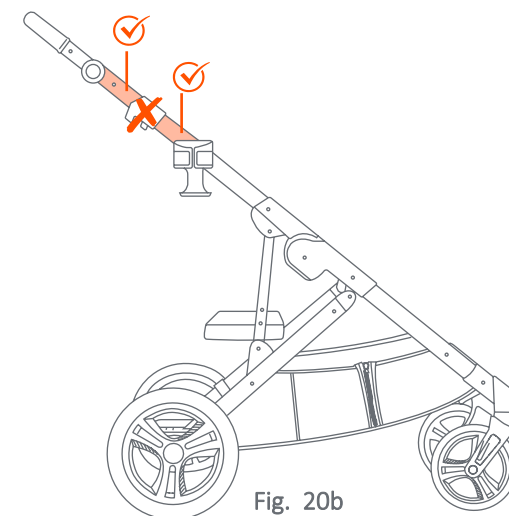


Fig. 20b

IMPORTANT! When the child is standing on the rear platform, please remove the adapter from the highest position and place them into the middle position or put them into the storage basket.

WARNING! These are the **ONLY** approved use modes. Failure to follow these instructions could result in serious injury or death.

IMPORTANT! When using two car seats or any dual seating combination, make sure to first put the child in the **REAR** seat, and then the **FRONT** seat. When removing child, start in the **FRONT** seat first, then remove the child from the **REAR** seat.

IMPORTANT! For use of two car seats or any dual seating combination, both seats must have weight in them. Always sit the 2 children at the same time.

SINGULAR RIDING POSITIONS

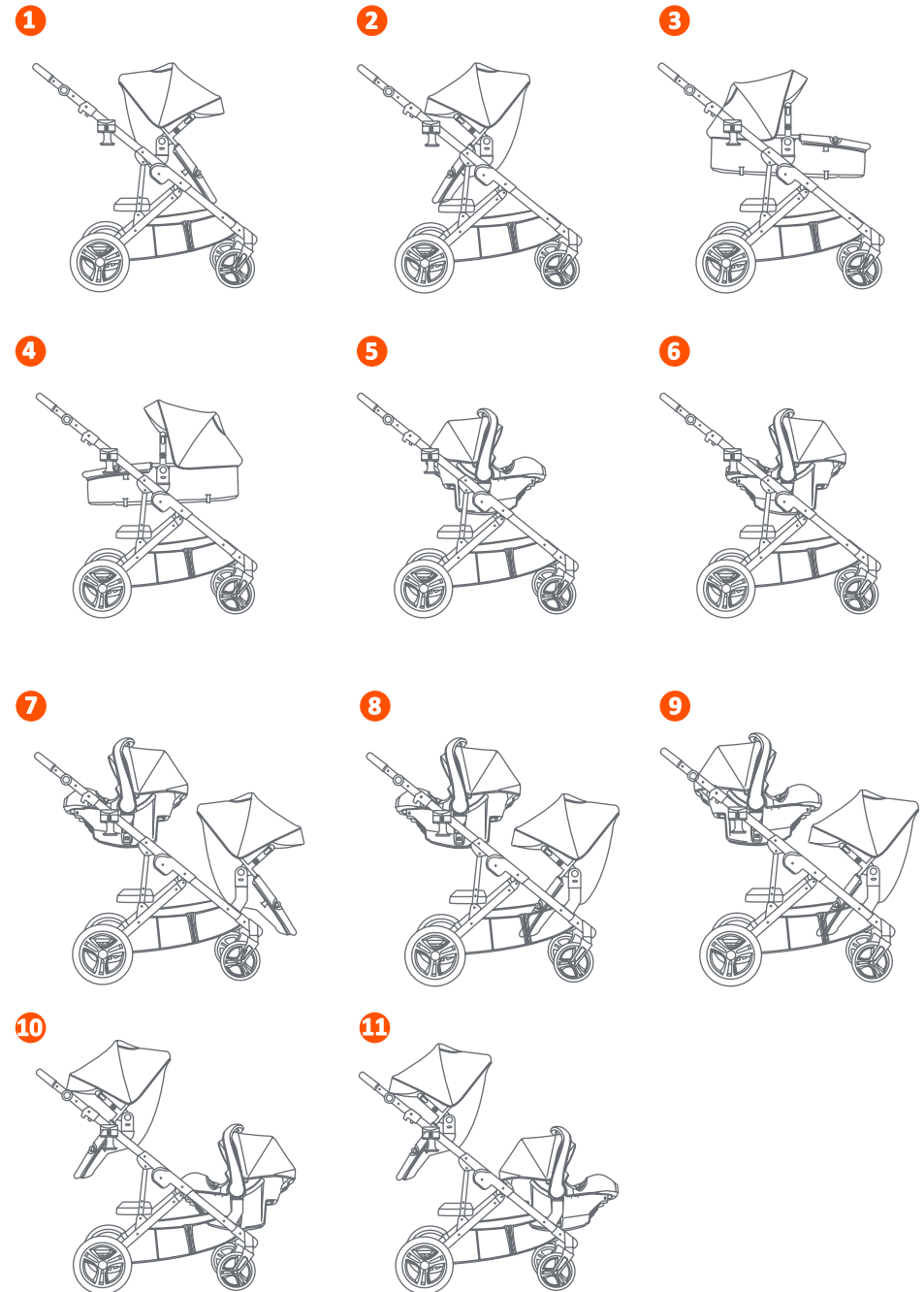
Single – 6 Modes

1. Toddler Seat - Middle Position - Forward Facing
2. Toddler Seat – Middle Position - Rear Facing
3. Carriage – Middle Position – Forward Facing
4. Carriage – Middle Position – Rear Facing
5. Car Seat – Middle Position - Forward Facing
6. Car Seat – Middle Position - Rear Facing

DOUBLE RIDING POSITIONS

Toddler & Car Seat – 5 Modes

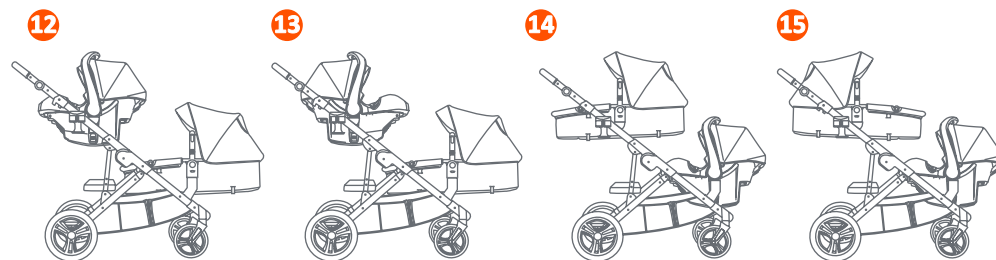
7. Toddler Seat – Low Position – Forward Facing, Car Seat – High Position – Rear Facing
8. Toddler Seat – Low Position – Rear Facing, Car Seat – High Position – Rear Facing
9. Toddler Seat – Low Position – Rear Facing, Car Seat – High Position – Forward Facing
10. Toddler Seat – High Position – Rear Facing, Car Seat – Low Position – Rear Facing
11. Toddler Seat – High Position – Rear Facing, Car Seat – Low Position – Forward Facing



*Car Seat Sold Separately

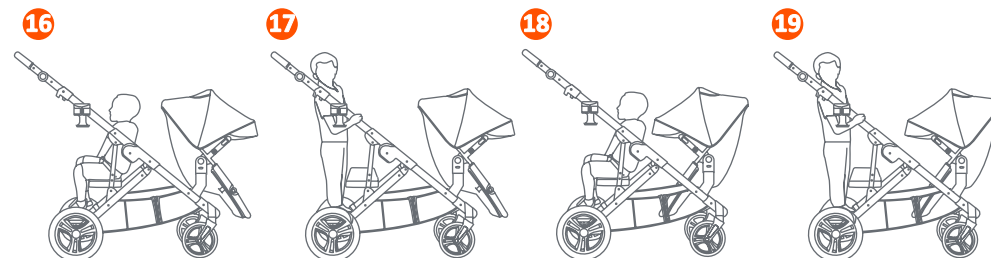
Carriage & Car Seat – 4 Modes

- 12. Carriage – Low Position – Rear Facing, Car Seat – High Position – Rear Facing
- 13. Carriage – Low Position – Rear Facing, Car Seat – High Position – Forward Facing
- 14. Carriage – High Position – Rear Facing, Car Seat – Low Position – Rear Facing
- 15. Carriage – High Position – Forward Facing, Car Seat – Low Position – Rear Facing



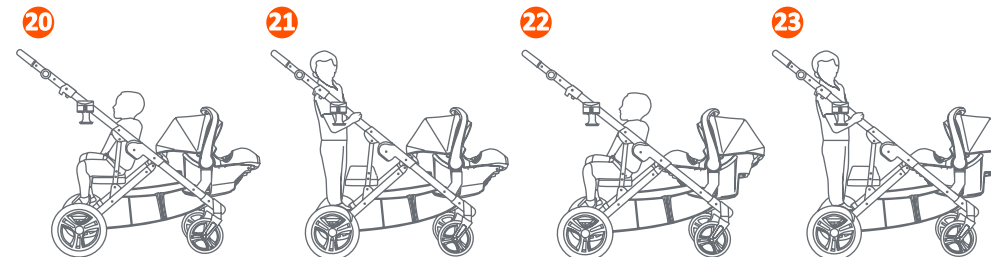
Toddler Seat with Bench, Stand Board – 4 Modes

- 16. Toddler Seat – Low Position – Forward Facing, Child on Bench
- 17. Toddler Seat – Low Position – Forward Facing, Child on Stand Board
- 18. Toddler Seat – Low Position – Rear Facing, Child on Bench
- 19. Toddler Seat – Low Position – Rear Facing, Child on Stand Board



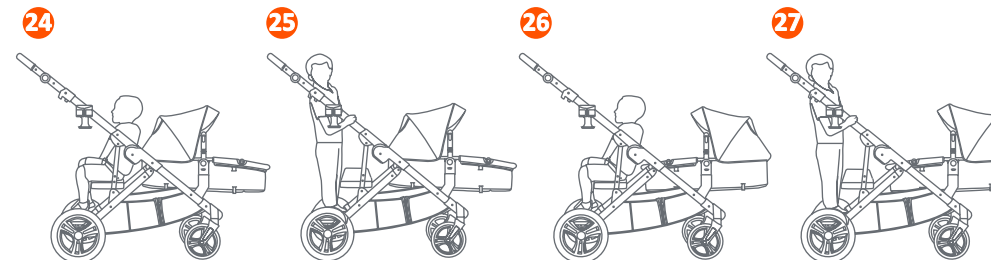
Car Seat with Bench, Stand Board – 4 Modes

- 20. Car Seat – Low Position – Forward Facing, Child on Bench
- 21. Car Seat – Low Position – Forward Facing, Child on Stand Board
- 22. Car Seat – Low Position – Rear Facing, Child on Bench
- 23. Car Seat – Low Position – Rear Facing, Child on Stand Board



Carriage with Bench, Stand Board – 4 Modes

- 24. Carriage – Low Position – Forward Facing, Child on Bench
- 25. Carriage – Low Position – Forward Facing, Child on Stand Board
- 26. Carriage – Low Position – Rear Facing, Child on Bench
- 27. Carriage – Low Position – Rear Facing, Child on Stand Board



*Car Seat Sold Separately

21 TO FOLD STROLLER

⚠️ WARNING: Care must be taken when folding and unfolding the stroller to prevent finger entrapment.

⚠️ WARNING: Care must be taken when folding stroller to prevent damage. Make sure all accessories, mobile phones, diaper bags or purses are removed before folding. Failure to remove items in, or on the stroller so may result in damage to the stroller or the item(s) if not removed. Baby Trend® will not be liable or warrant any damage.

⚠️ CAUTION: Do not allow children near stroller while folding. Ensure the stroller towers are properly closed (See Fig. 9c).

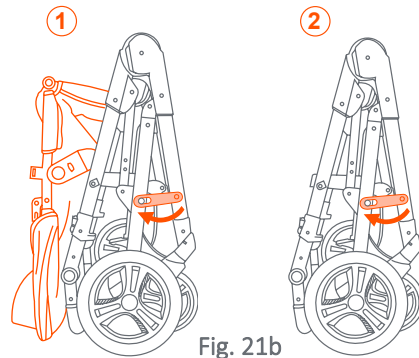
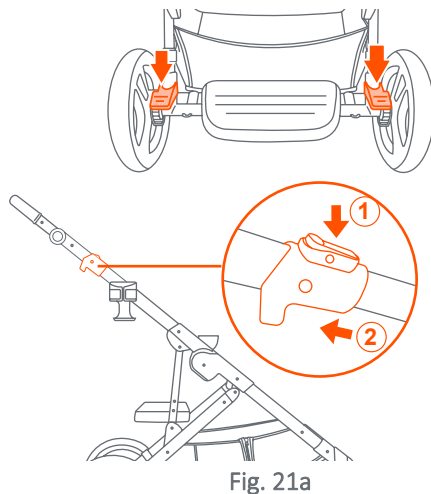
OPTIONAL: The stroller can be folded with the (1) Toddler Seat Mode facing forward in the highest position (2) OR without the seat installed (see Fig. 21b). **DO NOT** remove the seat while child is inside.

Stroller - Fold Latch

To fold the stroller, pull the stroller back to position, the front wheel forward facing and engage the brakes.

(1) Push both buttons while (2) lifting up both triggers on the frame (Fig. 21a). Push down on the stroller handle until the stroller is completely folded.

Compress stroller and secure with fold latch (Fig. 21b).



22 FRONT AND REAR WHEEL RELEASE

MAINTENANCE

If adjustment or replacement is necessary:

If replacing the front wheel: Press the pin located behind the wheel hub. Pull the wheel out from the hub (Fig. 22a).

If replacing the rear wheel: Press the release pin to disconnect (Fig. 22b). Repeat for the other side.

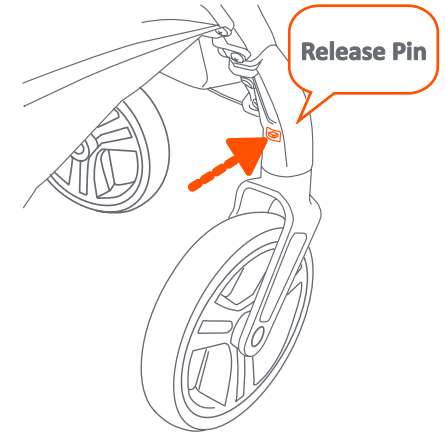


Fig. 22a

SEAT PAD

To clean the seat pad, use only mild household soap or detergent and warm water on a sponge or clean cloth.

OTHER

Check your stroller for loose screws, worn parts, torn material or stitching on a regular basis. Replace or repair parts as needed.

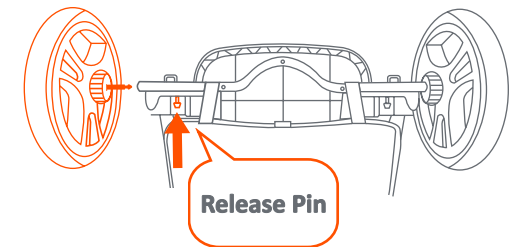



Fig. 22b


ADVERTENCIA

 **ADVERTENCIA:** Por favor, siga todas estas instrucciones para garantizar la seguridad de su hijo. Conserve estas instrucciones para referencia futura.

 **ADVERTENCIA:** El incumplimiento de estas instrucciones podría ocasionar una lesión grave o la muerte. Evite lesiones graves por caídas o resbalones. Siempre use el arnés de seguridad y asegúrese de que los niños estén ubicados correctamente de acuerdo a estas instrucciones.

 **ADVERTENCIA:** La rueda puede desprenderse y provocar un vuelco. Tire de la rueda para asegurarse de que esté bien sujeta.

 **ADVERTENCIA:** Se debe ser prudente al plegar y desplegar el carrito para evitar que queden dedos atrapados.

 **ADVERTENCIA:** El niño puede deslizarse por las aberturas de las piernas y estrangularse. NUNCA lo use en la posición de carruaje completamente reclinado a menos que el asiento esté completamente reclinado y la hebilla del reposapiés esté suelta.

El cochecito tiene capacidad para 2 niños como máximo. No exceda.

- Asiento Delantero / Trasero De La Silla De están diseñados para un niño de al menos de 6 meses que no supere las 40 pulgadas (102 cm) de alto. Peso máximo 50 libras (22.67 kg) cada uno. El uso del carrito con dos (2) niños que pesen más de 50 libras (22.67kg) cada uno, causará un desgaste y tensión excesivos en el carrito y podrían provocar una inestabilidad peligrosa.
- La plataforma trasera en el asiento / plataforma de salto ha sido diseñado para un niño que es por lo menos 2 1/2 años de edad y no tiene más de 40 pulgadas (102 cm) de altura. Niños por un total de más de 100 libras (45.35 kg), causarán desgaste y tensión excesiva en el cochecito y pueden crear una condición peligrosa.
- Los bolsos, bolsas de compras, paquetes, bolsas de pañales o artículos accesorios podrían cambiar el equilibrio del carrito y una condición de inestabilidad peligrosa. Agregar una bolsa para paquetes adicional o un estante para paquetes hará que la carriola sea inestable.
- SOLO se puede usar el asiento que viene con este sistema de viaje sobre el armazón.
- El peso máximo que se puede llevar en la canasta de almacenamiento es de 5 libras (2.27 kg). El exceso de peso podría ocasionar una inestabilidad peligrosa.

ADVERTENCIA

- El peso máximo que se puede llevar en el portavasos es de 1 libra (0.45kg). El exceso de peso podría ocasionar una inestabilidad peligrosa.
- El peso máximo que se puede llevar en el porta teléfono para padres es de 1 libra (0.45kg).
- Procure que el carrito esté completamente abierto y bien trabado antes de permitir que un niño se acerque al mismo.
- El peso máximo para el asiento infantil para automóvil es de 30 lb (13.6kg).
- NUNCA pierda de vista a los niños.
- NUNCA use el carrito en escaleras mecánicas o comunes.
- NUNCA use el carrito con patines de ruedas, patines en línea, monopatines o bicicletas.
- NUNCA permita el uso de su carrito como un juguete.
- Para limpiarlo, use solamente jabón doméstico o detergente suaves y agua tibia en una esponja o trapo limpio.
- Verifique con frecuencia que su carrito no tenga tornillos sueltos, piezas gastadas, materiales o costuras rasgados. Reemplace o repare las piezas conforme sea necesario.
- Deje de usar el carrito si presenta fallas o daños. Por favor, comuníquese con nuestro departamento de servicio al cliente para gestionar la reparación u obtención de piezas de reemplazo.

¡IMPORTANTE! Para asegurar el funcionamiento seguro de su carrito, siga estas instrucciones cuidadosamente. Por favor, conserve estas instrucciones para referencia futura.

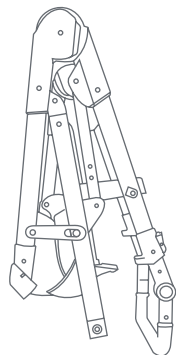
¡IMPORTANTE! Antes del montaje y de cada uso, inspeccione el producto para detectar daños en el equipo, uniones sueltas, piezas faltantes o bordes filosos. NUNCA use el carrito con piezas faltantes o rotas.

¡IMPORTANTE! Se requiere el montaje por parte de un adulto. Mantenga alejado al niño durante el desembalaje y el montaje.

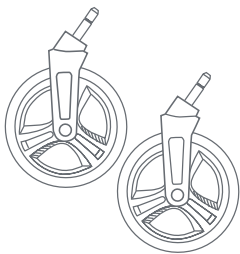
¡IMPORTANTE! Cuando use dos asientos de automóvil o cualquier combinación de asiento doble, asegúrese de colocar primero al niño en el asiento TRASERO y luego en el asiento DELANTERO. Al sacar al niño, primero en el asiento DELANTERO y luego en el asiento TRASERO.

¡IMPORTANTE! Para el uso de dos asientos de coche o cualquier combinación de asientos dobles, ambos asientos deben tener peso en ellos. Siempre sientese los 2 niños al mismo tiempo.

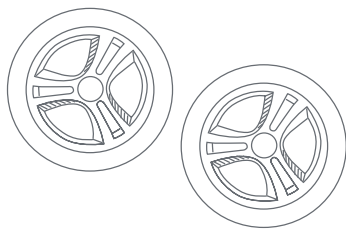
Verifique que tenga todas las piezas para este modelo antes de montar el carrito.



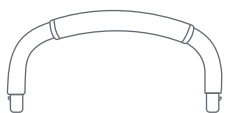
Armazón del cochecito



*Rueda delanteras (x2)



*Ruedas traseras (x2)



Barra Frontal con
Cubierta de Manubrio



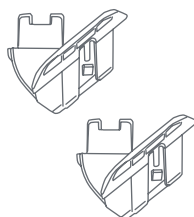
Portavasos flexible



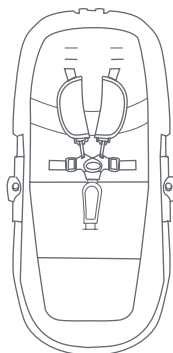
Porta teléfono para
padres



La Cubierta Del Manubrio



Adaptadores modulares
de cochecitos (x2)



Segundo asiento para
niños pequeños



Cubierta

*Los estilos de las ruedas pueden variar.

1 CONSTRUIR EL BASTIDOR DEL CARRITO

ABRIR

Destrate el pestillo de plegado (Fig. 1a) y despliegue el armazón del cochecito tirando hacia arriba del manubrio (Fig. 1b).

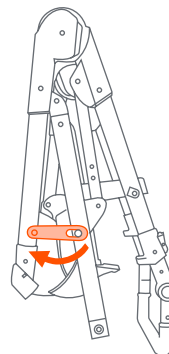


Fig. 1a

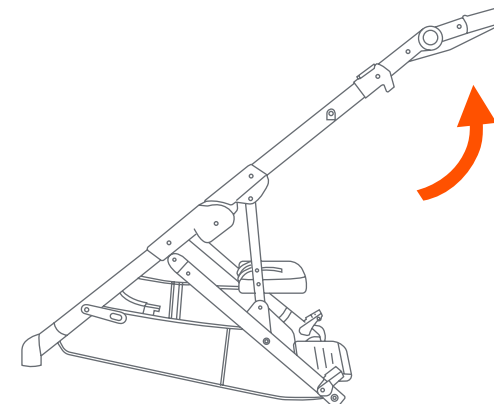
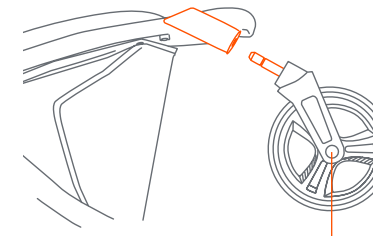


Fig. 1b

2 RUEDA DELANTERA

Incline la carriola hacia atrás y empuje cada conjunto de ruedas delanteras en el alojamiento de las ruedas delanteras hasta que encajen en su lugar (Fig. 2).



Cubierta negra mirando
hacia el exterior

Fig. 2

3 RUEDAS TRASERAS

Presione los postes de la rueda trasera en el cubo del bastidor trasero hasta que encajen en su lugar (Fig. 3).

NOTA: Tire de la rueda trasera para cerciorarse de que esté sujeta de manera segura al carrito.

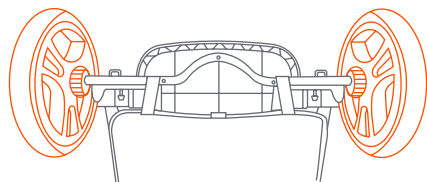
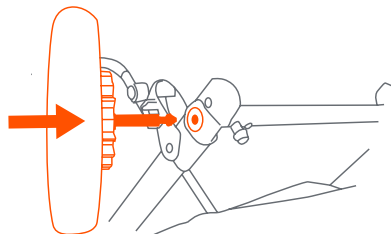


Fig. 3

4 FRENOS TRASEROS

⚠️ ADVERTENCIA: Siempre aplique los frenos cuando el carrito no esté siendo empujado, para impedir que ruede fuera de su alcance. NUNCA deje el carrito desatendido en una colina o pendiente, ya que podría deslizarse pendiente abajo.

Activar y liberar

Presione hacia abajo las manetas de freno para enganchar y levante suavemente la palanca del freno para soltarlo. El carrito podría requerir un movimiento hacia delante o hacia atrás para activar el freno. Verifique que los frenos estén aplicados correctamente (Fig. 4).

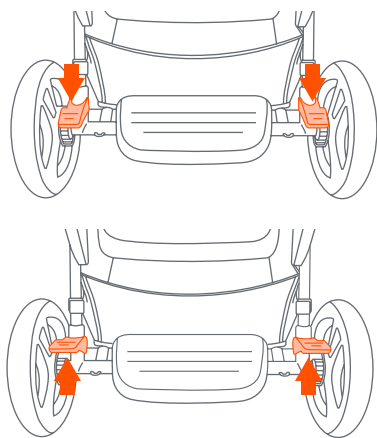


Fig. 4

5 PORTA TELÉFONO PARA PADRES

⚠️ ADVERTENCIA: El peso máximo que se puede llevar en el porta teléfono para padres es de 1 libra (0.45kg).

Deslice el gancho de la lengüeta para el teléfono que se encuentra en el manubrio del carrito hasta que esté bien sujeto (Fig. 5). Para soltarlo, simplemente tire del porta teléfono para padres hacia arriba.

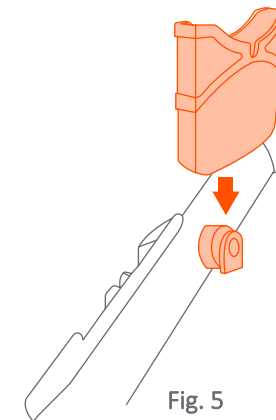


Fig. 5

6 PORTAVASOS FLEXIBLE

⚠️ ADVERTENCIA: Para evitar quemaduras, nunca coloque líquidos calientes en un portavasos. Evite posibles vuelcos, no coloque más de 1 libra. (0.45 kg) en un portavasos.

Deslice el clip del portavasos sobre la pestaña del portavasos en el manillar. Empuje hasta que esté firmemente en su lugar (Fig. 6).

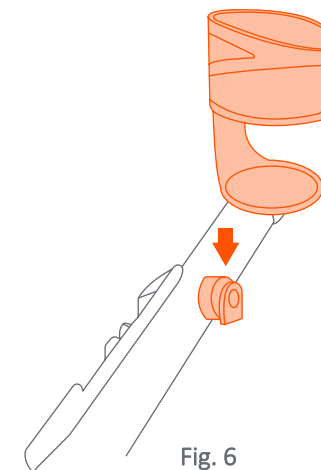


Fig. 6

7 FUNCIÓN DE LA CUBIERTA DEL MANUBRIO

Remoción

Abra el cierre para retirar (Fig. 7a).

Adjuntar

Envuelva alrededor del manubrio y cierre la cremallera (Fig. 7b).

NOTA: Puede almacenarse en la cesta de almacenamiento.

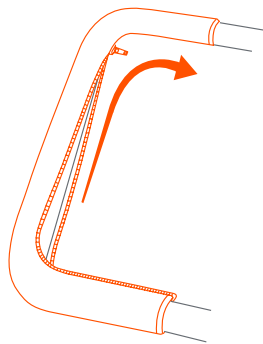


Fig. 7a

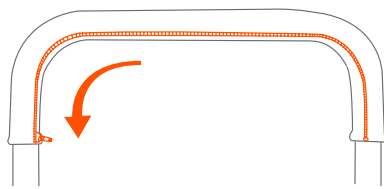


Fig. 7b

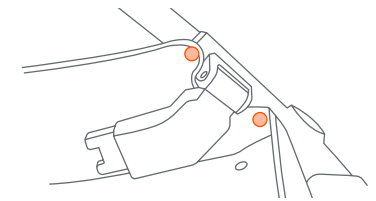
8 CESTA DE ALMACENAMIENTO

Comprobar todo adjunto

Si se recibe sin adjuntar, siga las instrucciones a continuación para adjuntar: Verifique que todas las correas y cierres a presión estén sujetas correctamente.

NOTA: Asegure siempre los broches que se muestran en (Fig. 8a).

Asegúrese de que la cremallera de la cesta (Fig. 8b) y las correas cerca de las ruedas traseras (Fig. 8c).



Parte inferior, delantera del cochecito

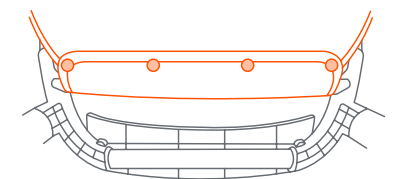


Fig. 8a

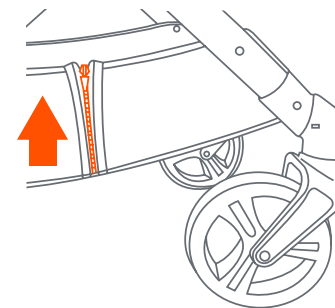
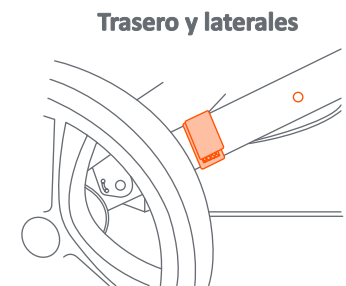


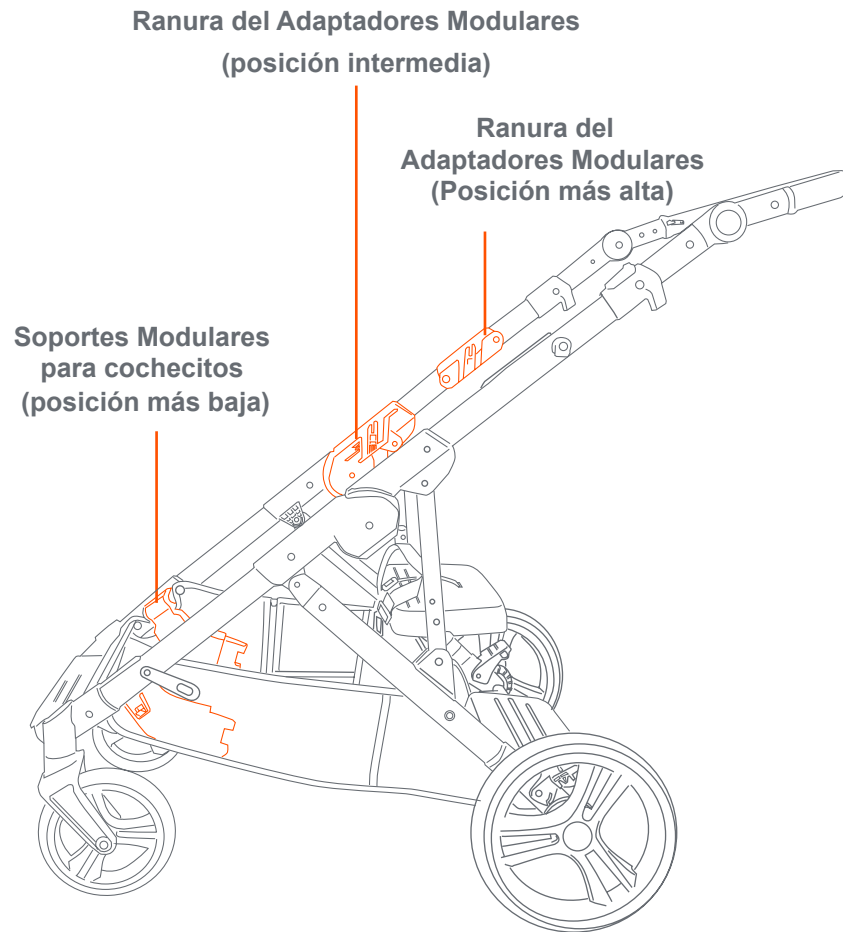
Fig. 8b



Trasero y laterales

Fig. 8c

Posiciones del cochecito



9 MODULARES SOPORTES PARA COCHECITOS

IMPORTANTE! Para colocar cualquier accesorio en la posición más baja, los soportes del cochecito **DEBEN** estar en posición vertical.

Para usar torres modulares frontales

En la parte delantera del armazón del cochecito, ubique los 2 soportes modulares del cochecito (Fig. 9a).

Levante y rotar el soporte en bloqueo posición vertical (Fig. 9b). Repite por el otro lado.

Guardado oculto: Para guardar, rotar la torre hasta su almacenamiento cerrado posición (Fig. 9c). Repite por el otro lado.

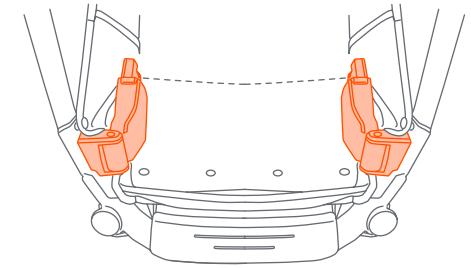


Fig. 9a

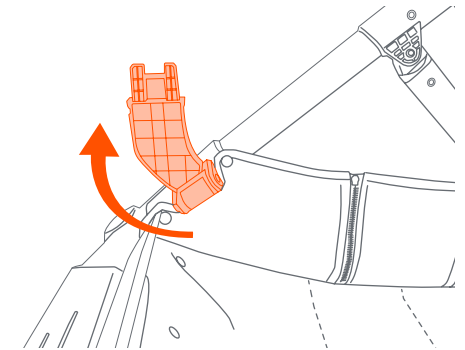


Fig. 9b

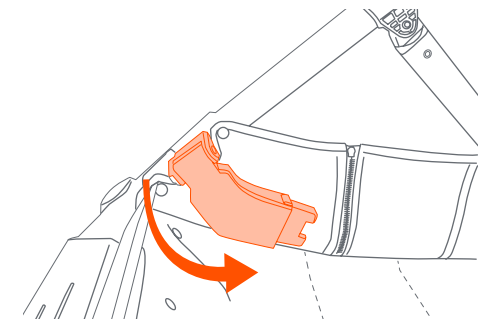


Fig. 9c

10 ADAPTADORES MODULARES DE COCHECITOS

IMPORTANTE! Para cualquier accesorio que se coloque en la posición más alta o media, los adaptadores del cochecito **DEBEN** instalarse al mismo nivel de altura en el armazón del cochecito.

Instalar

Inserte el adaptador en el armazón del cochecito como se muestra hasta que clic y cerraduras (Fig. 10a). Repite por el otro lado.

Ejemplo

Consulte la (Fig. 11e) para ver un ejemplo de instalación de un accesorio.

REMOCIÓN

Presione el botón y levante el adaptador simultáneamente (Fig. 10b). Repite por el otro lado.

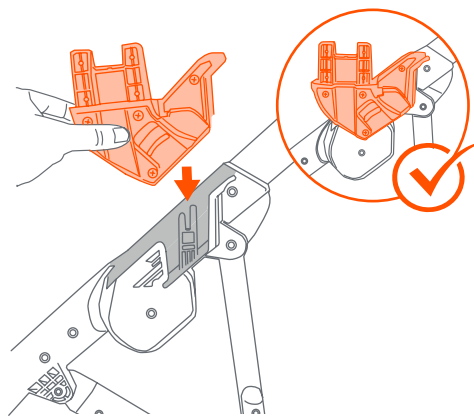


Fig. 10a

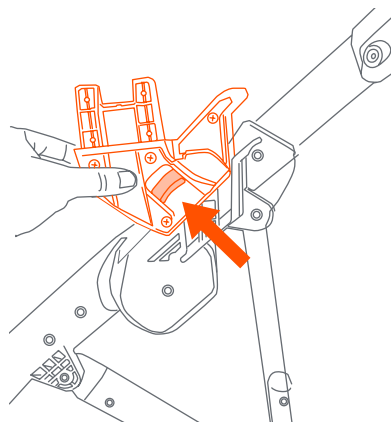


Fig. 10b

11 MONTAJE DEL ASIENTO PARA NIÑOS

Desdoble completamente el asiento para niños pequeños (Fig. 11a).

Para ensamblar el asiento para niños pequeños, abra completamente la cremallera que se encuentra debajo del asiento (Fig. 11b).

Desenvuelva la tela del tubo (Fig. 11c).

(1) Empuje los tubos inferiores en la ranura interior del marco del asiento. **(2)** Asegúrese de que el pasador de presión haga clic en su lugar en ambos lados. Luego envuelva la tela hacia atrás y cierre la cremallera alrededor del marco del mar.

Si se recibe sin adjuntar, siga las instrucciones a continuación para adjuntar:

Pase la correa a través de la lengüeta para anclar la tela del asiento en el marco del asiento, asegúrese de que el asiento de niños esté asegurado (Fig. 11d). Repite por el otro lado.

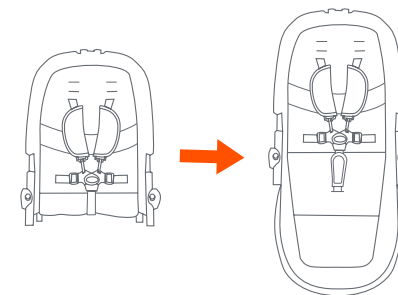


Fig. 11a

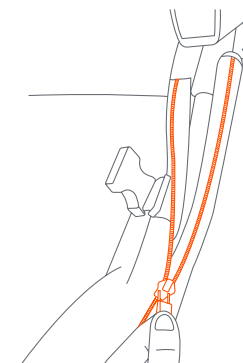


Fig. 11b

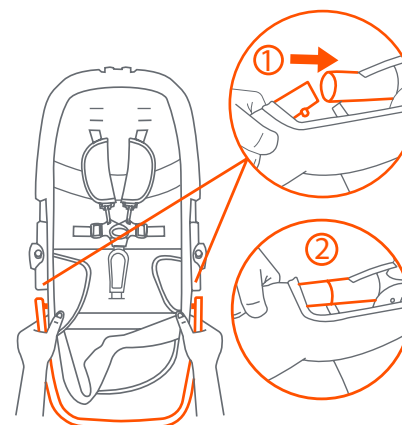


Fig. 11c

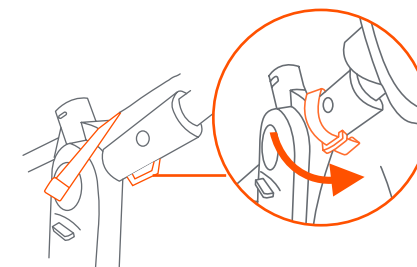


Fig. 11d

Asegúrese de que los adaptadores del cochecito estén colocados en el nivel medio. Consulte el paso 10 para la instalación.

Instale la sillita alineando las anclas que están a los lados de la sillita con las anclas del armazón del carrito y empújelas hasta que se encajen de forma segura (Fig. 11e). La sillita puede quedar mirando hacia cualquiera de las direcciones, ya sea hacia adelante o hacia atrás.

Transporte Carruaje Cuna

Asegúrese de que la correa con hebilla debajo del asiento esté desabrochada. Luego afloje la correa del asiento reclinable apretando el ajuste y tirando hacia abajo (Fig. 11f). La carruaje debe estar completamente extendida antes de ser usada.

NOTA: El área del apoyapiés debe estar desabrochada (Fig. 11g).

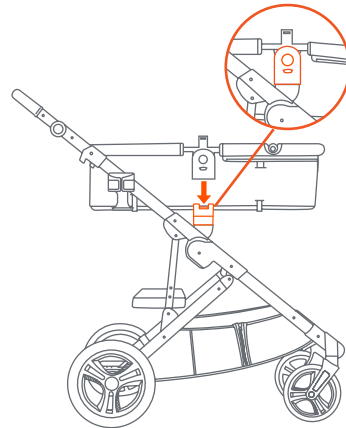


Fig. 11e

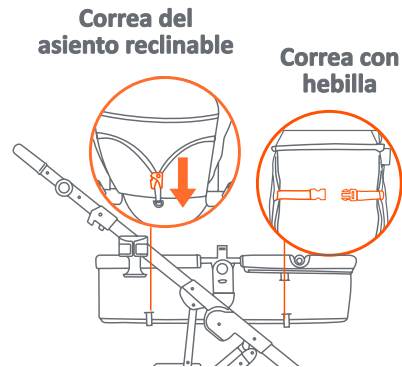


Fig. 11f

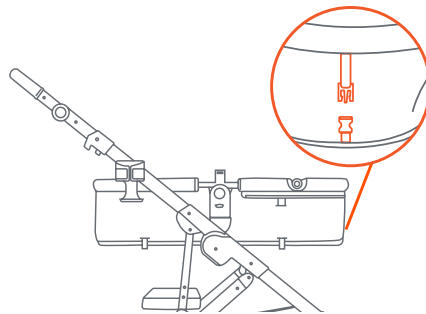


Fig. 11g

12 CUBIERTA DE MANIJA DE BARRA DE PARACHOQUES

Adjuntar: Antes de colocar la barra protectora en la carriola, envuelva la cubierta de la manija alrededor de la barra (Fig. 12a).

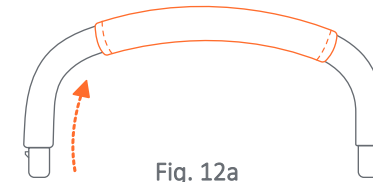


Fig. 12a

13 LA BARRA FRONTAL

⚠️ ADVERTENCIA: No use la barra frontal para trasladar la sillita para estando el niño adentro. La barra frontal no es una manija de traslado.

⚠️ ADVERTENCIA-RIESGO DE CAIDA: La barra parachoques no está diseñada para soportar una sillita de bebé para automóviles, el carrito podría volverse inestable.

Coloque la barra frontal alineando los anclajes con las ranuras de la sillita. Empuje hasta que encaje (Fig. 13a).

NOTA: La barra frontal debe estar sujeta de manera segura antes de poder usar el producto.

Para separar la barra del parachoques, presione el botón de liberación en la parte inferior de la barra a cada lado, y saque la barra de los anclajes (Fig. 13b).

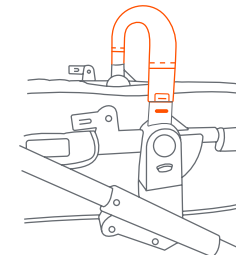


Fig. 13a

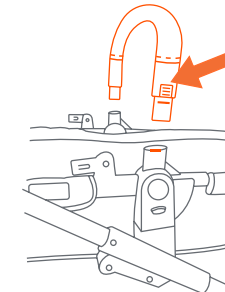


Fig. 13b

14 PARA AJUSTAR EL ASIENTO

⚠️ ADVERTENCIA: La posición erguida se debe usar únicamente para un niño de al menos 6 meses.

Modo sillita para niños pequeños: El asiento se puede ajustar en las posiciones erguida, reclinada y transporte carruaje. Oprima el botón central a ambos lados del adaptador del carrito para rotar el asiento (Fig. 14a). Gire el asiento hacia la posición deseada hasta que haga clic y se trabe (Fig. 14b). La sillita puede quedar mirando hacia cualquiera de las direcciones, ya sea hacia adelante o hacia atrás.

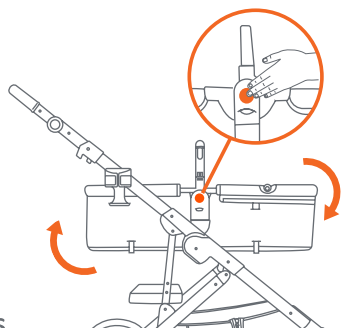


Fig. 14a

Abroche la correa ubicada debajo del asiento (Fig. 14c). Para apretar la correa, use el método de gancho y bucle a través del clip. Tire de la correa firmemente y fíjela.

Para ajustar la correa del asiento reclinable, apriete el ajuste mientras tira hacia abajo o hacia arriba (Fig. 14d).

NOTA: Hay **6 posiciones** para el reposa piernas. Presione en ambos lados para desbloquear, ajuste a la posición deseada y suelte los botones para bloquear en la posición (Fig. 14e).

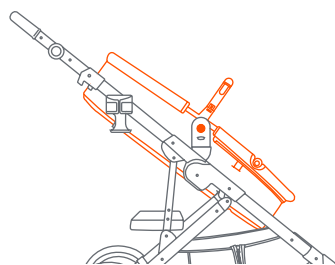


Fig. 14b

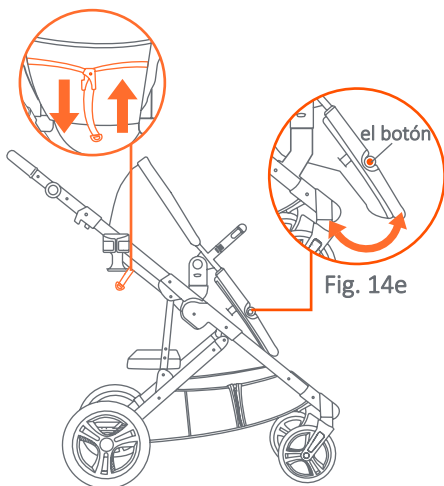


Fig. 14e

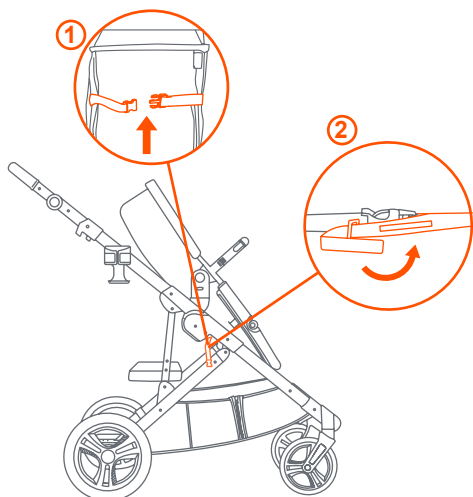


Fig. 14c

Fig. 14d

15 CUBIERTA REMOVIBLE

Para añadir la cubierta removible: Deslice los ganchos de la cubierta que se encuentran dentro de las ranuras correspondientes en el armazón del carrito (Fig. 15a).

Estire la parte trasera de la tela de la cubierta para conectar las tres fijaciones que se encuentran en la parte superior del armazón del asiento (Fig. 15b).

Para abrir la cubierta: empuje hacia delante el borde delantero de la cubierta mientras sostiene la parte trasera de la misma en su sitio (Fig. 15c).

Para plegar la cubierta: Empuje hacia atrás el borde delantero (Fig. 15d).

Para retirar la cubierta: Presione ambas lengüetas de la cubierta hacia dentro y deslice la cubierta hacia arriba para retirarla (Fig. 15e).

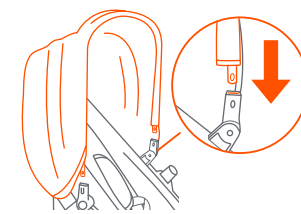


Fig. 15a

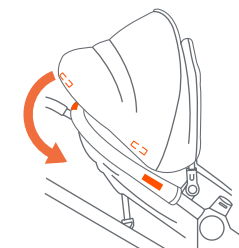


Fig. 15b

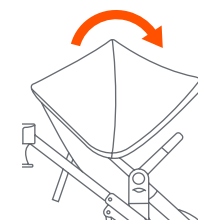


Fig. 15c

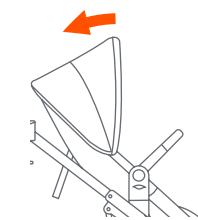


Fig. 15d

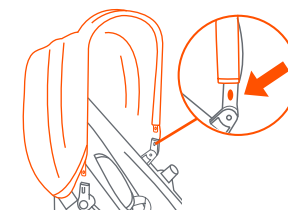


Fig. 15e

16 PARA SUJETAR AL NIÑO

⚠️ ADVERTENCIA: Evite lesiones graves por caídas o resbalones. Siempre use el arnés de seguridad.

⚠️ PELIGRO DE ESTRANGULAMIENTO: El niño se puede estrangular con las correas sueltas. Nunca deje al niño en el asiento cuando las correas estén sueltas o sin terminar de colocar.

Typo 1

Las correas del hombro del arnés de 5 puntos tienen 3 posiciones de sujeción. escoja la posición que sitúe a la correa del hombro al mismo nivel o a un nivel inferior a la parte superior del hombro del niño (Fig. 16a). Para ajustar la altura de arnés desganche el cinturón del broche entrepiernas. Pase el cinturón a través de la ranura del arnés. Estas ranuras están localizadas en la parte posterior del asiento por debajo de la tela. Pase el cinturón a través de la ranura apropiada y enganche el cinturón al broche de entrepiernas.

Coloque cuidadosamente al niño en el asiento del carrito y pase el arnés de seguridad por la cintura del niño y por encima de los hombros. Coloque la correa de la entrepierna entre las piernas del niño. Introduzca el extremo macho del cinturón de cada hombro o de la cintura en la hebilla de la correa de la entrepierna. Ajuste el arnés de modo que esté ceñido alrededor de la cintura del niño y por encima de sus hombros (Fig. 16b).

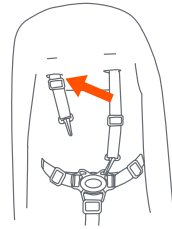
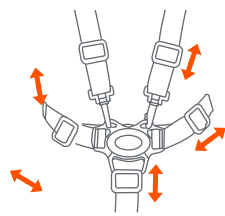


Fig. 16a

Typo 1 Buckle



Regule para lograr un buen ajuste

Fig. 16b

PARA SOLTARLAS AL NIÑO

Typo 1

Para soltarlas, presione el Botón en la presilla central para destrabar las dos Hebillas del Arnés (Fig. 16c).

Desenganchar las correas de los hombros solo si ajusta las posiciones del arnés (Fig. 16d).

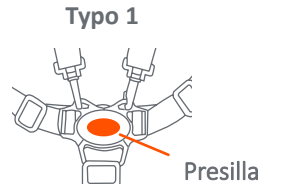


Fig. 16c

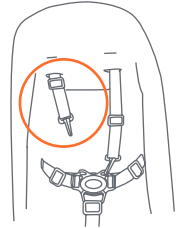


Fig. 16d

17 DESMONTAJE DEL ASIENTO

NOTA: El carrito se puede plegar con o sin el asiento instalado.

Oprima los botones inferiores a cada lado del asiento para desprenderlo del armazón del carrito (Fig. 17).

NO la retire con el niño en el asiento del carrito.

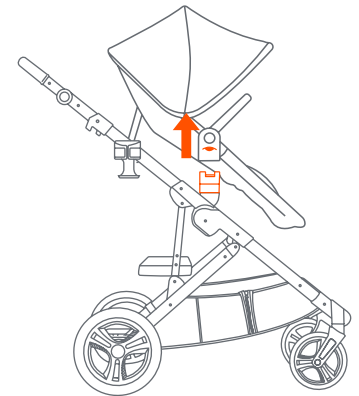


Fig. 17

18 LA SILLITA PARA EL AUTOMÓVIL

⚠️ ADVERTENCIA: Evite una lesión grave por caídas o resbalones, siempre use el arnés de la Sillita para el automóvil.

CS01 EZ-Lift, CS02 EZ-Lift PLUS and CS03 EZ-Lift PRO Infant Car Seats

Consulte el paso 10 para instalar los 2 adaptadores modulares del cochecito.

Alinee el módulo de la silla para el automóvil los adaptadores modulares del cochecito. Enganche el módulo en el marco del carrito. Debajo del eje de la manija del asiento del automóvil, alínelo con cuidado con las torres modulares del armazón del cochecito. Presione firmemente hasta que haga clic. SIEMPRE verifique que la sillita para el automóvil esté conectada correctamente y trabada en el carrito antes de cada uso levantándola del manubrio de la sillita para el automóvil (Fig. 18a).

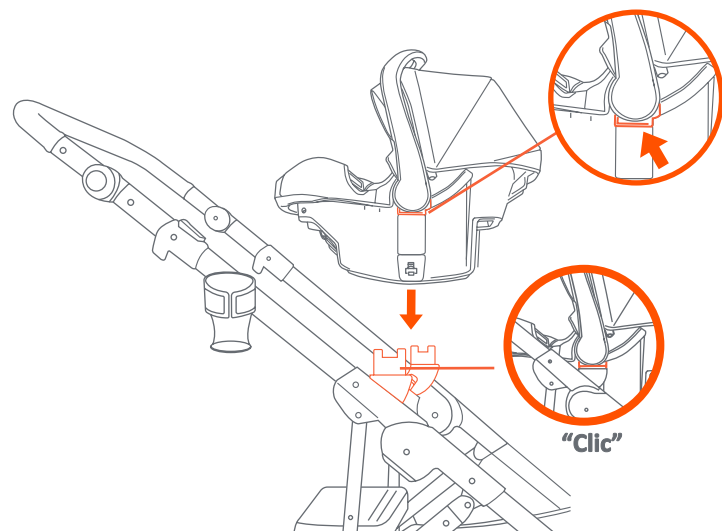


Fig. 18a

RETIRADA DE LA SILLA DE AUTO

Coloque el manubrio en la posición de traslado (Fig. 18b). Apriete el manubrio de liberación ubicado en la parte Superior trasera de la sillita para el automóvil y levántelo para retirarlo del carrito (Fig. 18c).

Pliegue los soportes del cochecito cuando no esté en uso (vea la Fig. 9c).

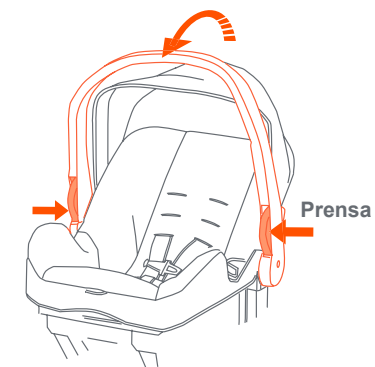


Fig. 18b

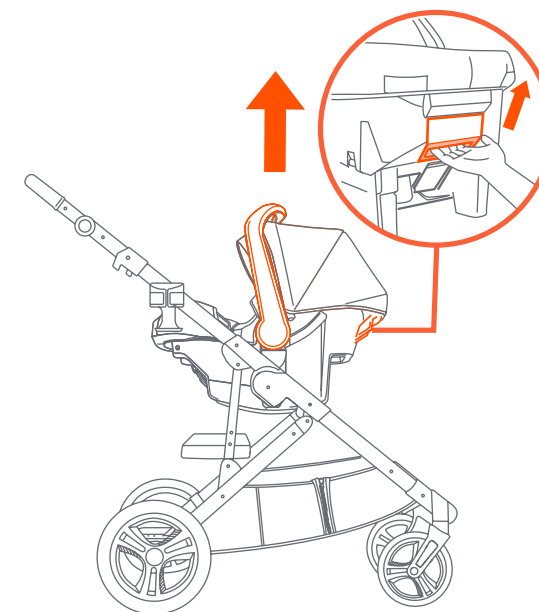


Fig. 18c

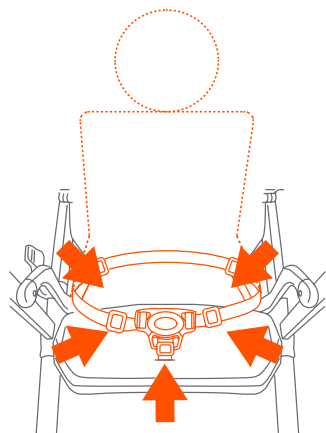
19 USO DEL ASIENTO ADICIONAL

⚠️ ADVERTENCIA: La plataforma trasera y el asiento adicional están diseñados para adaptarse a un niño de al menos 2 años y medio, con buen equilibrio y coordinación, y una altura que no supere las 40 pulgadas (101 cm).

Siente al niño en el asiento adicional mirando hacia atrás. Sujete al niño con el arnés de 3 puntas del asiento adicional (Fig. 19a).

Coloque el cinturón de seguridad alrededor de la cintura del niño y abroche la correa de la entrepierna (Fig. 19b). Ajuste el cinturón de seguridad ceñidamente alrededor de la cintura del niño.

¡LIBERAR! Presione el botón en la presilla central para destrabar las dos hebillas del arnés (Fig. 19c).



Arnés de 3 puntas del asiento adicional

Fig. 19a

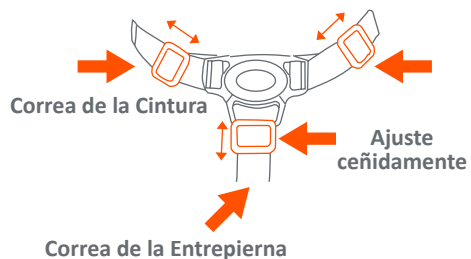


Fig. 19b

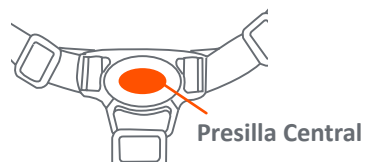


Fig. 19c

¡IMPORTANTE! Cuando el niño esté sentado en el asiento plegable trasero, retire el adaptador de la posición más alta y colóquelo en la posición media o colóquelo en la canasta de almacenamiento.

20 USO DE LA PLATAFORMA

⚠️ ADVERTENCIA: La plataforma trasera y el asiento adicional están diseñados para adaptarse a un niño de al menos 2 años y medio, con buen equilibrio y coordinación, y una altura que no supere las 40 pulgadas (101 cm).

¡IMPORTANTE! Antes de utilizar la plataforma, retire cualquier accesorio si está colocado en la posición más alta.

Primero enganche los frenos traseros (Fig. 20a). Coloque al niño en posición de pie mirando hacia atrás.

NOTA: Asegúrese de que el niño sostenga el marco con ambas manos en todo momento. Vea (Fig. 20b) dónde el niño puede sostener el armazón del cochecito.

Coloque al niño sobre la plataforma de la parte trasera del carrito. Asegúrese de que el niño esté mirando hacia delante y que sus manos estén sosteniendo el armazón. Asegúrese de que los pies del niño estén totalmente apoyados en la plataforma en todo momento.

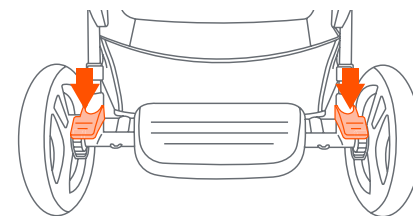


Fig. 20a

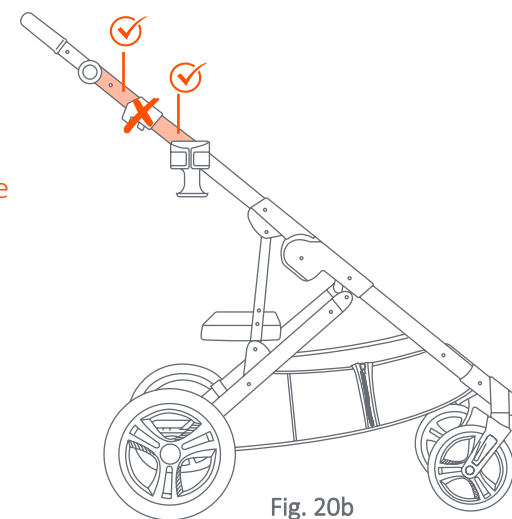


Fig. 20b

¡IMPORTANTE! Cuando el niño esté parado en la plataforma trasera, retire el adaptador de la posición más alta y colóquelo en la posición media o colóquelo en la canasta de almacenamiento.

¡ADVERTENCIA! Estos son los **ÚNICOS** modos de uso aprobados. El incumplimiento de estas instrucciones podría ocasionar una lesión grave o la muerte.

¡IMPORTANTE! Cuando use dos asientos de automóvil o cualquier combinación de asiento doble, asegúrese de colocar primero al niño en el asiento **TRASERO** y luego en el asiento **DELANTERO**. Al sacar al niño, primero en el asiento **DELANTERO** y luego en el asiento **TRASERO**.

¡IMPORTANTE! Para el uso de dos asientos de coche o cualquier combinación de asientos dobles, ambos asientos deben tener peso en ellos. Siempre siéntese los 2 niños al mismo tiempo.

POSICIONES DE CONDUCCIÓN INDIVIDUAL

Soltero – 6 Modos

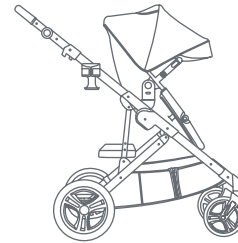
1. Asiento de niño - Posición Media - Orientado hacia adelante
2. Asiento de niño – Posición Media - Orientado hacia atrás
3. Carruaje – Posición Media – Orientado hacia adelante
4. Carruaje – Posición Media – Orientado hacia atrás
5. Sillita para el automóvil – Posición Media - Orientado hacia adelante
6. Sillita para el automóvil – Posición Media - Orientado hacia atrás

POSICIONES DE CONDUCCIÓN DOBLE

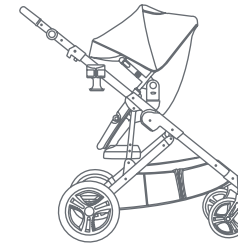
Niño pequeño y asiento de carro – 5 Modos

7. Asiento de niño – Posición baja – Orientado hacia adelante, Sillita para el automóvil – Posición Alta – Orientado hacia atrás
8. Asiento de niño – Posición baja – Orientado hacia atrás, Sillita para el automóvil – Posición Alta – Orientado hacia atrás
9. Asiento de niño – Posición baja – Orientado hacia atrás, Sillita para el automóvil – Posición Alta – Orientado hacia adelante
10. Asiento de niño – Posición Alta – Orientado hacia atrás, Sillita para el automóvil – Posición baja – Orientado hacia atrás
11. Asiento de niño – Posición Alta – Orientado hacia atrás, Sillita para el automóvil – Posición baja – Orientado hacia adelante

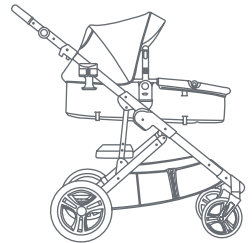
1



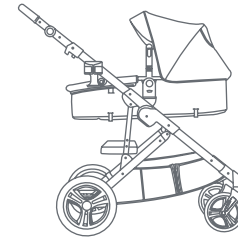
2



3



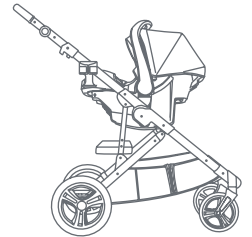
4



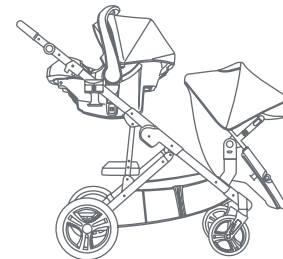
5



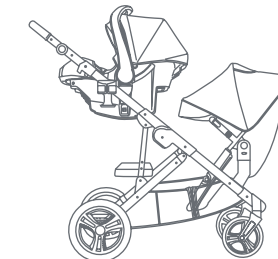
6



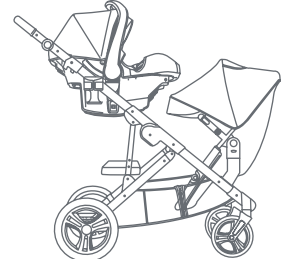
7



8



9



10

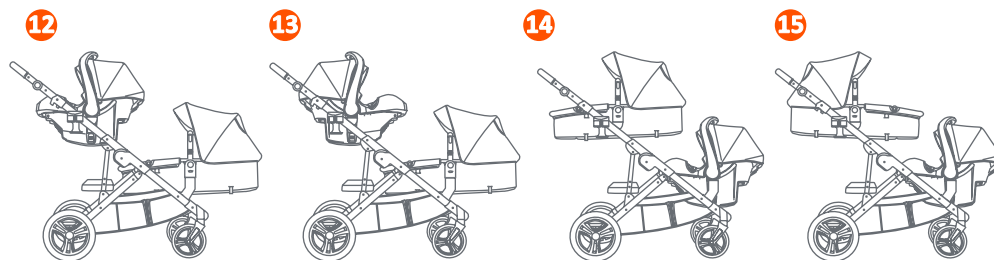


11



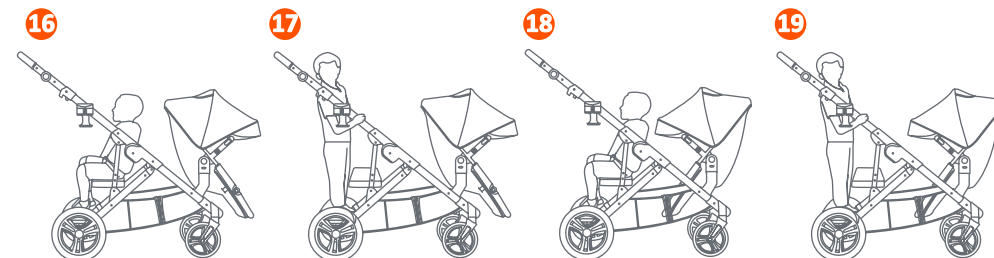
Carruaje y sillita para el automóvil – 4 Modos

- 12. Carruaje – Posición baja – Orientado hacia atrás, Sillita para el automóvil – Posición Alta – Orientado hacia atrás
- 13. Carruaje – Posición baja – Orientado hacia atrás, Sillita para el automóvil – Posición Alta – Orientado hacia adelante
- 14. Carruaje – Posición Alta – Orientado hacia atrás, Sillita para el automóvil – Posición Baja – Orientado hacia atrás
- 15. Carruaje – Posición Alta – Orientado hacia adelante, Sillita para el automóvil – Posición Baja – Orientado hacia atrás



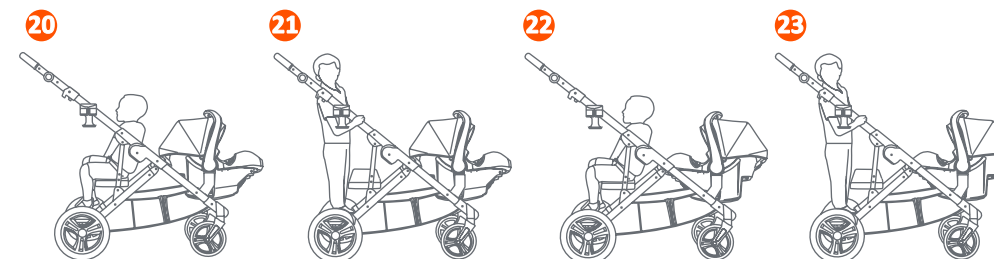
Asiento de niño con el banco, tablero de pie – 4 Modos

- 16. Asiento de niño – Posición Baja – Orientado hacia adelante, Niño en el banco
- 17. Asiento de niño – Posición Baja – Orientado hacia adelante, Niño en el tablero de pie
- 18. Asiento de niño – Posición Baja – Orientado hacia atrás, Niño en el banco
- 19. Asiento de niño – Posición Baja – Orientado hacia atrás, Niño en el tablero de pie



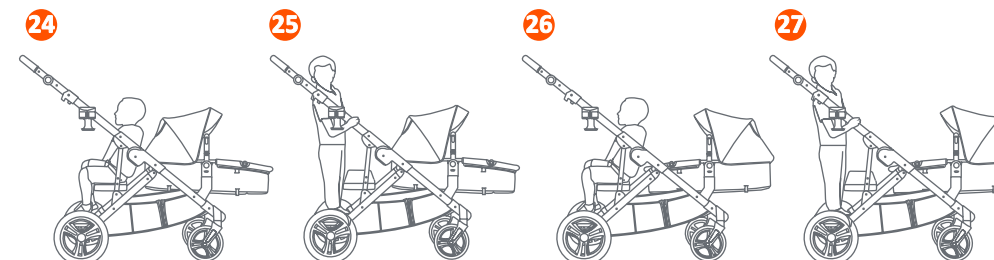
Sillita para el automóvil con banco, tablero de pie – 4 Modos

- 20. Sillita para el automóvil – Posición Baja – Orientado hacia adelante, Niño en el banco
- 21. Sillita para el automóvil – Posición Baja – Orientado hacia adelante, Niño en el tablero de pie
- 22. Sillita para el automóvil – Posición Baja – Orientado hacia atrás, Niño en el banco
- 23. Sillita para el automóvil – Posición Baja – Orientado hacia atrás, Niño en el tablero de pie



Carruaje con el banco, tablero de pie – 4 Modos

- 24. Carruaje – Posición Baja – Orientado hacia adelante, Niño en el banco
- 25. Carruaje – Posición Baja – Orientado hacia adelante, Niño en el tablero de pie
- 26. Carruaje – Posición Baja – Orientado hacia atrás, Niño en el banco
- 27. Carruaje – Posición Baja – Orientado hacia atrás, Niño en el tablero de pie



21 PARA PLEGAR EL CARRITO

⚠️ ADVERTENCIA: Se debe ser prudente al plegar y desplegar el carrito para evitar que queden dedos atrapados.

⚠️ ADVERTENCIA: Se debe tener cuidado al plegar el choche de bebé para evitar daños. Asegúrese de quitar todos los accesorios, teléfonos móviles, bolsas de pañales o carteras antes de doblar. Si no se quitan los elementos, se pueden dañar el cochecito o los artículos. Baby Trend® no se responsabiliza ni garantiza ningún daño.

⚠️ PRECAUCIÓN: No permita que los niños se acerquen al carrito mientras lo pliega.

Pliegue los soportes del cochecito cuando no esté en uso (vea la Fig. 9c).

OPCIONAL: El cochecito se puede plegar con el **(1) modo de asiento para niños pequeños mirando hacia adelante en la posición más alta (2) O sin el asiento instalado** (consulte la Fig. 21b). **NO** retire el asiento mientras el niño está adentro.

Carrito - Cierre plegable

Para plegar la carriola, tire de la carriola hacia atrás para colocar la rueda delantera mirando hacia adelante y aplique los frenos.

(1) Presione ambos botones mientras **(2)** levanta ambos gatillos en el armazón (Fig. 21a). Empuje hacia abajo el manillar del cochecito hasta que el cochecito está completamente plegado.

Comprima el cochecito y asegúrelo con el pestillo plegable (Fig. 21b).

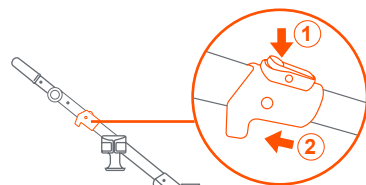
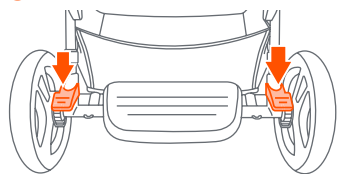


Fig. 21a

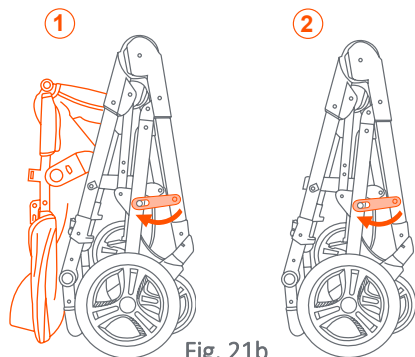


Fig. 21b

22 LIBERACIÓN DE TODAS LAS RUEDAS

MANTENIMIENTO

Si es necesario ajustar o reemplazar:

Si reemplaza la rueda delantera: presione el pasador situado detrás del cubo de la rueda. Tire de la rueda del buje (Fig. 22a).

Si se sustituye la rueda trasera: Presione el pasador de liberación y para desconectar (Fig. 22b). Repite por el otro lado.

ALMOHADILLA DEL ASIENTO

Para limpiar la almohadilla del asiento, use solamente jabón doméstico o detergente suaves y agua tibia en una esponja o trapo limpio.

OTROS

Verifique con frecuencia que su carrito no tenga tornillos sueltos, piezas gastadas, materiales o costuras rasgados. Reemplace o repare las piezas conforme sea necesario.

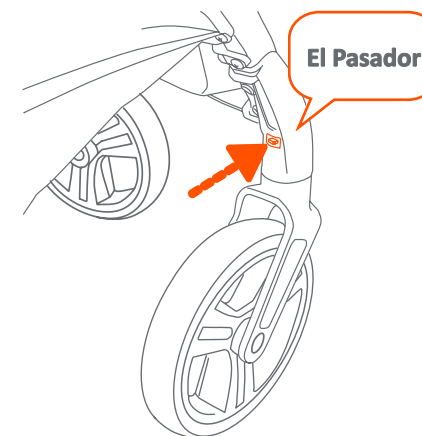


Fig. 22a

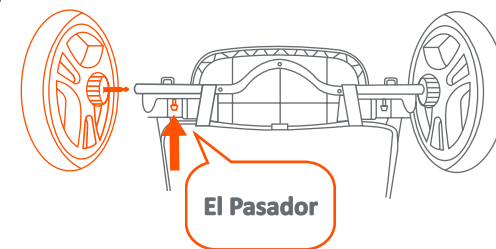


Fig. 22b



BABY TREND® CUSTOMER SERVICE

The Customer Service Department can be contacted at 1 (800) 328-7363 Monday through Friday between 8:00 a.m. and 4:30 p.m. (PST). Return Authorizations are required prior to returning product(s) to Baby Trend®.

BABY TREND® SERVICIO AL CLIENTE

El Departamento de Servicio al Cliente puede ser contactado a 1 (800) 328-7363 Lunes a viernes entre 8:00 a.m. y 4:30 p.m.(PST). Un numero de autorizacion es requerido antes de la devolución de los producto(s) a Baby Trend®.

